



## **MIL-SPEC / MIL-COTS**

PANEL MOUNT INDICATOR CATALOG

# Table of contents

Quick Reference.....	<a href="#">3</a>
About Us .....	<a href="#">4</a>
Product Overview.....	<a href="#">5</a>
Cross-Reference .....	<a href="#">7</a>

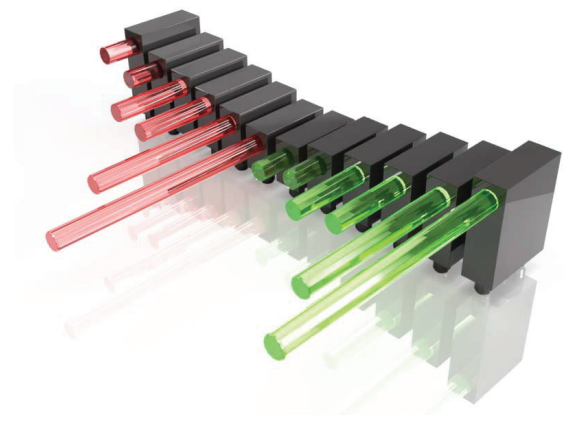
## **MIL-SPEC**

<b>249 Series</b> / Front or Rear Panel Mount Indicators .....	<a href="#">9</a>
<b>271 Series</b> / Indicator Base.....	<a href="#">11</a>
<b>359 Series</b> / Indicator Base.....	<a href="#">13</a>
<b>362 Series</b> / Indicator Base.....	<a href="#">16</a>
<b>367 Series</b> / Indicator Base.....	<a href="#">18</a>
<b>373 Series</b> / Indicator Base.....	<a href="#">20</a>
<b>377 Series</b> / Indicator Base.....	<a href="#">23</a>
<b>378 Series</b> / Indicator Base.....	<a href="#">25</a>
<b>800 Series</b> / Press-To-Test.....	<a href="#">27</a>
<b>803 Series</b> / Press-To-Test.....	<a href="#">28</a>

## **MIL-COTS**

<b>556 Series</b> / Standard Panel Mount Indicators.....	<a href="#">29</a>
<b>556 Series</b> / Standard Panel Mount Indicators / Constant Intensity, 18-48 V DC .....	<a href="#">32</a>
<b>556 Series</b> / Daylight Viewable Panel Mount Indicators .....	<a href="#">34</a>
<b>556 Series</b> / Daylight Viewable Panel Mount Indicators / Constant Intensity, 18-48 V DC.....	<a href="#">36</a>
<b>556 Series</b> / Class 1, Division 2 Panel Mount Indicators .....	<a href="#">38</a>
<b>556 Series</b> / UV Certified Indicators .....	<a href="#">41</a>
<b>559 Series</b> / Snap-In LED / .250" (6.35mm) Mounting Hole.....	<a href="#">43</a>
<b>559 Series</b> / Rectangle Snap-In / 0.216 x 0.139" (5.49 x 3.53mm) Mounting Hole .....	<a href="#">46</a>
<b>630 Series</b> / 30mm Panel Mount Indicators .....	<a href="#">48</a>
<b>656 Series</b> / High Intensity LED Panel Mount Indicators.....	<a href="#">50</a>
<b>657 Series</b> / Watertight Series Panel Mount Indicators.....	<a href="#">54</a>
<b>657 Series</b> / Bi- and Tri-Color Watertight Series Panel Mount Indicators.....	<a href="#">56</a>
<b>657 Series</b> / Watertight Right Angle Panel Mount Indicators .....	<a href="#">58</a>
<b>585 Series</b> / Multi-Chip Based LED / T1 3/4 Midget Flange.....	<a href="#">60</a>
<b>585 Series</b> / Cluster Based LED / T3 1/4 Miniature Bayonet (BA9s).....	<a href="#">62</a>
<b>586 Series</b> / Single Chip Based LED / T1 3/4 Midget Flange .....	<a href="#">64</a>
<b>586 Series</b> / Multi-Chip Based LED / T3 1/4 Miniature Bayonet (BA9s) .....	<a href="#">66</a>
<b>586 Series</b> / Daylight Viewable Cluster Based LED / T3 1/4 Miniature Bayonet (BA9s) .....	<a href="#">68</a>
OE Product Showcase.....	<a href="#">70</a>

Series	Mounting Hole Size	Color Options
249 Series Indicator Base	0.375" (9.53 mm)	• Blue • Red • Green • Yellow
271 Series Indicator Base	.468" (11.89mm)	• Red ○ Clear
359 Series Indicator Base	.468" (11.89mm)	• Red • Green • Yellow • Blue ○ Clear • White
362 Series Indicator Base	.468" (11.89mm)	• Red • Green • Yellow • Blue ○ Clear • White
367 Series Indicator Base	.468" (11.89mm)	• Red • Green • Yellow • Blue ○ Clear • White
373 Series Indicator Base	.688" (17.48mm)	• Red • Green • Yellow • Blue ○ Clear • White
377 Series Indicator Base	.688" (17.48mm)	• Red • Green • Yellow • Blue ○ Clear • White
378 Series Indicator Base	1.0" (25.4mm)	• Red • Green • Yellow • Blue ○ Clear • White
800 Series Press-To-Test	.625" (15.88mm)	• Red • Green • Yellow • Blue ○ Clear
803 Series Press-To-Test	.625" (15.88mm)	• Red • Green • Yellow • Blue ○ Clear
556 Series Standard Panel Mount Indicators	1.0" (25.4 mm)	• Red • Green • Yellow • Blue • White • Cyan • Orange
556 Series Standard Panel Mount Indicators Constant Intensity, 18-48 V DC	1.0" (25.4 mm)	• Red • Green • Yellow
556 Series Daylight Viewable Panel Mount Indicators	1.0" (25.4 mm)	• Red • Green • Yellow • Blue • Cyan • Orange
556 Series Daylight Viewable Panel Mount Indicators Constant Intensity, 18-48 V DC	1.0" (25.4 mm)	• Red • Green • Yellow
556 Series Class 1, Division 2 Panel Mount Indicators	1.0" (25.4 mm)	• Red • Green • Yellow • Blue • White • Cyan • Orange
556 Series UV Certified Indicators	1.0" (25.4 mm)	• Red • Green • Yellow • Blue • White
559 Series Snap-In LED	0.249 – 0.252" (6.32 – 6.40 mm)	• Red • Green • Yellow • Blue • White • Amber • Orange • Red/Green • Yellow/Green
559 Series Rectangle Snap-In	0.216" x .139" (5.49 mm x 3.53 mm)	• Red • Green • Yellow • Blue • Red-Orange/Green • Yellow-Green/Yellow
630 Series 30mm Panel Mount Indicators	1.18" (30 mm)	• Red • Green • Yellow • Blue • White
656 Series High Intensity LED Panel Mount Indicators	0.500" (12.7 mm)	• Red/Green • Yellow/Green • Red • Green • Yellow • Blue • White • Orange
657 Series Watertight Series Panel Mount Indicators	0.687" (17.46 mm)	• Red • Green • Yellow • Blue • White • Orange
657 Series Bi- and Tri-Color Watertight Series Panel Mount Indicators	0.687" (17.46 mm)	• Red/Green • Red/Blue • Green/Yellow • Red/Yellow • Green/Blue • Red/Green/Blue • Red/Green/Yellow

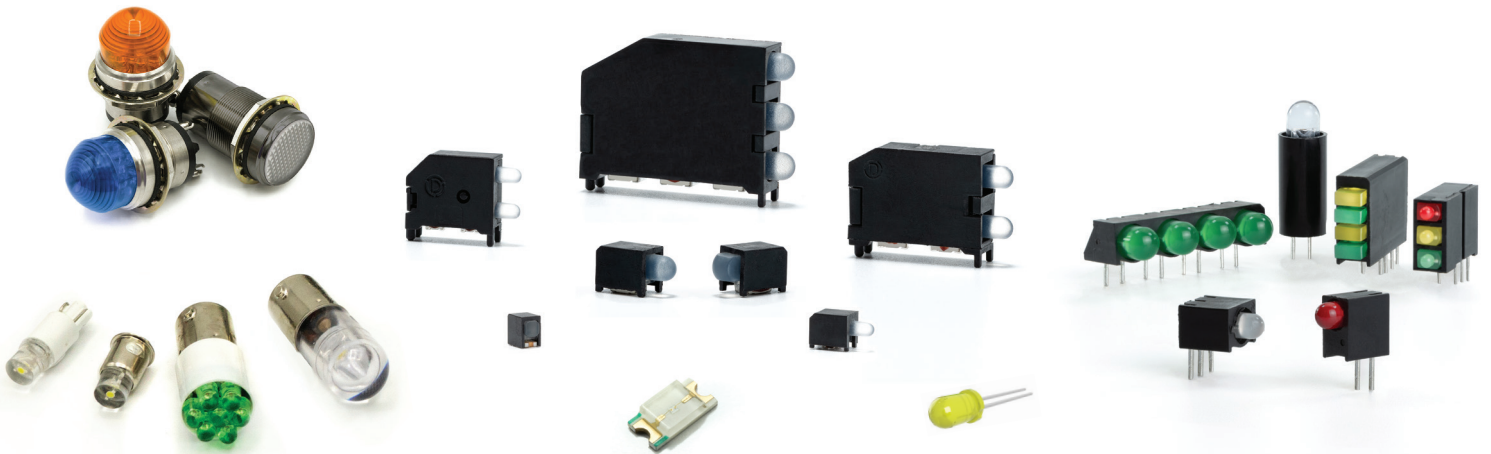


## About us

Dialight is a market leader within the LED indication and signals communities, with millions of products used in most markets throughout the world. Our story began in 1938 in Brooklyn, NY, producing panel indication components for military aircraft and industrial applications. In 1971, shortly following the inception of the LED, we launched our first LED component product. In 1995 came our introduction of the first LED vehicle light and traffic signals in North America, followed by the first ever hazardous location certified LED lighting system. We have continued to revolutionize the use of LEDs to provide superior indication products, vehicle lights, traffic signals as well as lighting for structural towers and industrial work sites around the world.

Dialight Signals & Components continues the development specifically in the area of optoelectronic components, traffic, vehicle and rail lighting products. We boast a first rate team of engineers with a knowledge base that provides the best in technology development and superior product functionality and durability. We remain the industry authority in LED board level through hole and surface mount indication, with an exceptional range of the revolutionary PRISM<sup>®</sup> SMDs and OPTOPIPE<sup>®</sup> Light Pipes. Having expanded LED technology into our legendary panel mount line and based LED bulbs, Dialight offers the widest range and most reliability of indicator products. It is our commitment to our customers to continue to provide these reliable, high quality LED products, with best in class service and support, for decades to come.

We see a world transformed to be safer, more productive, and environmentally friendly through the use of LEDs. With the most options and the highest quality, it's not just a light; it's a Dialight.





## The Versatility Of LED Indicators In Military And Defense Sectors

In the fast-paced and high-stakes world of military and defense, quick and accurate communication is vital. One technology that plays a crucial role in achieving this is LED indicators. These small yet powerful lights offer numerous benefits and applications in the military and defense sectors. The various advantages of Dialight's LED indicators such as durability, efficiency, and versatility are useful in a wide range of applications, including equipment status, warnings, target marking, low-light illumination, communication systems, simulation and training, and aviation lighting.

### Equipment Status

LED indicators provide quick and easy-to-read visual cues for monitoring equipment status in military and defense applications. They are commonly used on control panels, displays, and consoles to indicate the operational state of various equipment. For example, a green LED might indicate that a weapon system is armed and ready, while a red LED might indicate an error or malfunction. These indicators allow personnel to make informed decisions based on the status of the equipment, ensuring mission-critical tasks are executed smoothly and efficiently.

### Warnings

In high-risk environments, warnings need to be conveyed quickly and clearly. LED indicators are the perfect choice for this task. They can be programmed to emit bright and attention-grabbing lights, ensuring that warnings are easily noticeable even in challenging conditions. Whether it's indicating a chemical hazard, a breach in security, or an approaching threat, LED indicators provide a reliable and instantaneous visual warning system, enhancing situational awareness and response capabilities.

### Target Marking

LED indicators find extensive use in target marking applications. They can be incorporated into laser target designators or be mounted on tactical gear to mark strategic locations, targets, or points of interest. By emitting distinct colors and patterns, LED indicators help military personnel coordinate operations, guide airstrikes, or identify specific targets accurately. Their high visibility and versatility make them an invaluable tool for target marking in both day and night operations.



### **Low-Light Illumination**

Military and defense operations often occur in low-light or nighttime conditions. In these scenarios, LED indicators serve as a reliable source of illumination. They can be used to provide low-level lighting without compromising stealth or compromising one's own position. LED indicators emit bright, focused light that can be directed precisely, enabling personnel to navigate, read maps, or carry out tasks with enhanced visibility while maintaining a low profile.

### **Communication Systems**

Effective communication is paramount in military and defense operations. LED indicators are integral to communication systems, ensuring swift and accurate conveyance of critical information. They can be used to indicate the status of communication equipment, such as radios or satellite links, helping operators identify active channels or connection status. LED indicators can also be programmed to display specific light patterns to signal Morse code messages or other predetermined communication protocols.

### **Simulation and Training**

LED indicators play a crucial role in simulation and training exercises in the military and defense sectors. They are used to create realistic scenarios and provide feedback to trainees. For example, LED indicators can simulate the muzzle flash of a weapon during simulated combat exercises, helping trainees anticipate and respond to realistic combat situations. Additionally, LED indicators can be used to provide real-time feedback on accuracy or performance, allowing personnel to refine their skills and tactics.

### **Aviation Lighting**

Aviation lighting is of utmost importance in military and defense aviation operations, ensuring safety and visibility for aircraft in various conditions. LED indicators offer several advantages in this application. They are highly durable and resistant to vibrations and harsh environmental conditions, making them ideal for aviation use. LED indicators can be used for aircraft navigation lights, wingtip lights, anti-collision lights, or taxi lights. Their efficient operation and low power consumption also contribute to extended battery life and reduced maintenance requirements.

LED indicators have become indispensable in military and defense applications, thanks to their durability, efficiency, and versatile functionality. Whether used for equipment status, warnings, target marking, low-light illumination, communication systems, simulation and training, or aviation lighting, Dialight's LED indicators offer quick and easy-to-read visual cues, greatly enhancing situational awareness, safety, and effectiveness. With their ability to withstand harsh conditions and deliver reliable performance, our indicators continue to prove their worth in critical military and defense operations.

**MILITARY SPECIFICATION**
**MIL-DTL-3661C Lampholders, Indicator Lights, Indicator Light Housings, Indicator Light Lenses**

Military Designation	Dialight Part Number
LC11BN2	<a href="#">178-0334-500</a>
LC11BT2	<a href="#">178-0374-500</a>
LC11CN2	<a href="#">*178-0337-500</a>
LC11GN2	<a href="#">178-0332-500</a>
LC11GT2	<a href="#">178-0372-500</a>
LC11RN2	<a href="#">*178-0331-500</a>
LC11RT2	<a href="#">178-0371-500</a>
LC11WT2	<a href="#">178-0375-500</a>
LC11YN2	<a href="#">*178-0333-500</a>
LC11YT2	<a href="#">178-0373-500</a>
LC12BN2	<a href="#">162-0934</a>
LC12BT2	<a href="#">162-0974</a>
LC12CN2	<a href="#">*162-0937</a>
LC12GN2	<a href="#">162-0932</a>
LC12GT2	<a href="#">162-0972</a>
LC12RN2	<a href="#">*162-0931</a>
LC12RT2	<a href="#">162-0971</a>
LC12WT2	<a href="#">162-0975</a>
LC12YN2	<a href="#">*162-0933</a>
LC12YT2	<a href="#">162-0973</a>
LC13CN2	<a href="#">*137-0937</a>
LC13RN2	<a href="#">*137-0931</a>
LC13WT2	<a href="#">*137-0935</a>
LC13YN2	<a href="#">*137-0933</a>
LC14BD3	<a href="#">081-0114-203</a>
LC14BN3	<a href="#">081-0134-203</a>
LC14CD3	<a href="#">081-0117-203</a>
LC14CN3	<a href="#">*081-0137-203</a>
LC14GD3	<a href="#">081-0112-203</a>
LC14GN3	<a href="#">081-0132-203</a>
LC14RD3	<a href="#">081-0111-203</a>
LC14RN3	<a href="#">*081-0131-203</a>
LC14WT3	<a href="#">*081-0135-203</a>
LC14YD3	<a href="#">081-0113-203</a>
LC14YN3	<a href="#">*081-0133-203</a>
LC15BD3	<a href="#">026-1114-203</a>
LC15BN3	<a href="#">026-1134-203</a>
LC15CN3	<a href="#">*026-1137-203</a>
LC15GD3	<a href="#">026-1112-203</a>
LC15GN3	<a href="#">026-1132-203</a>
LC15RD3	<a href="#">026-1111-203</a>
LC15RN3	<a href="#">*026-1131-203</a>
LC15WT3	<a href="#">*026-1135-203</a>
LC15YD3	<a href="#">026-1113-203</a>
LC15YN3	<a href="#">*026-1133-203</a>
LC16BN3	<a href="#">026-1194-203</a>
LC16CN3	<a href="#">*026-1197-203</a>
LC16GN3	<a href="#">026-1192-203</a>
LC16RN3	<a href="#">*026-1191-203</a>
LC16WT3	<a href="#">*026-1195-203</a>
LC16YN3	<a href="#">*026-1193-203</a>
LC17BD3	<a href="#">203-0114-203</a>
LC17BN3	<a href="#">203-0134-203</a>
LC17CD3	<a href="#">203-0117-203</a>
LC17CN3	<a href="#">*203-0137-203</a>
LC17GD3	<a href="#">203-0112-203</a>
LC17GN3	<a href="#">203-0132-203</a>
LC17RD3	<a href="#">203-0111-203</a>
LC17RN3	<a href="#">*203-0131-203</a>
LC17WT3	<a href="#">*203-0135-203</a>

Military Designation	Dialight Part Number
LC17YD3	<a href="#">203-0113-203</a>
LC17YN3	<a href="#">*203-0133-203</a>
LC18BD3	<a href="#">204-0114-203</a>
LC18BN3	<a href="#">204-0134-203</a>
LC18CD3	<a href="#">204-0117-203</a>
LC18CN3	<a href="#">*204-0137-203</a>
LC18GD3	<a href="#">204-0112-203</a>
LC18GN3	<a href="#">204-0132-203</a>
LC18RD3	<a href="#">204-0111-203</a>
LC18RN3	<a href="#">*204-0131-203</a>
LC18YD3	<a href="#">204-0113-203</a>
LC18YN3	<a href="#">*204-0133-203</a>
LC19BD3	<a href="#">169-1114-203</a>
LC19BN3	<a href="#">169-1134-203</a>
LC19CD3	<a href="#">169-1117-203</a>
LC19CN3	<a href="#">*169-1137-203</a>
LC19GD3	<a href="#">169-1112-203</a>
LC19GN3	<a href="#">169-1132-203</a>
LC19RD3	<a href="#">169-1111-203</a>
LC19RN3	<a href="#">*169-1131-203</a>
LC19WT3	<a href="#">*169-1135-203</a>
LC19YD3	<a href="#">169-1113-203</a>
LC19YN3	<a href="#">*169-1133-203</a>
LC20BN3	<a href="#">169-1194-203</a>
LC20CN3	<a href="#">*169-1197-203</a>
LC20GN3	<a href="#">169-1192-203</a>
LC20RN3	<a href="#">*169-1191-203</a>
LC20WT3	<a href="#">*169-1195-203</a>
LC20YN3	<a href="#">*169-1193-203</a>
LC21BD3	<a href="#">051-0114-203</a>
LC21BN3	<a href="#">051-0134-203</a>
LC21CD3	<a href="#">051-0117-203</a>
LC21CN3	<a href="#">*051-0137-203</a>
LC21GD3	<a href="#">051-0112-203</a>
LC21GN3	<a href="#">051-0132-203</a>
LC21RD3	<a href="#">051-0111-203</a>
LC21RN3	<a href="#">*051-0131-203</a>
LC21WT3	<a href="#">*051-0135-203</a>
LC21YD3	<a href="#">051-0113-203</a>
LC21YN3	<a href="#">*051-0133-203</a>
LC22BD3	<a href="#">080-0514-203</a>
LC22BN3	<a href="#">080-0534-203</a>
LC22CD3	<a href="#">080-0517-203</a>
LC22CN3	<a href="#">*080-0537-203</a>
LC22GD3	<a href="#">080-0512-203</a>
LC22GN3	<a href="#">080-0532-203</a>
LC22RD3	<a href="#">080-0511-203</a>
LC22RN3	<a href="#">*080-0531-203</a>
LC22WT3	<a href="#">*080-0535-203</a>
LC22YD3	<a href="#">080-0513-203</a>
LC22YN3	<a href="#">*080-0533-203</a>
LC25BN2	<a href="#">239-0334-500</a>
LC25BT2	<a href="#">239-0374-500</a>
LC25CN2	<a href="#">*239-0337-500</a>
LC25GN2	<a href="#">239-0332-500</a>
LC25GT2	<a href="#">239-0372-500</a>
LC25RN2	<a href="#">*239-0331-500</a>
LC25RT2	<a href="#">239-0371-500</a>
LC25WT2	<a href="#">239-0375-500</a>
LC25YN2	<a href="#">*239-0333-500</a>

Military Designation	Dialight Part Number
LC25YT2	<a href="#">239-0373-500</a>
LC29BN2	<a href="#">162-1434</a>
LC29BT2	<a href="#">162-1474</a>
LC29CN2	<a href="#">*162-1437</a>
LC29GN2	<a href="#">162-1432</a>
LC29GT2	<a href="#">162-1472</a>
LC29RN2	<a href="#">*162-1431</a>
LC29RT2	<a href="#">162-1471</a>
LC29WT2	<a href="#">162-1475</a>
LC29YN2	<a href="#">*162-1433</a>
LC29YT2	<a href="#">162-1473</a>
LC30BN3	<a href="#">250-3534-500</a>
LC30GN3	<a href="#">250-3532-500</a>
LC30RN3	<a href="#">250-3531-500</a>
LC30WT3	<a href="#">250-3535-500</a>
LC30YN3	<a href="#">250-3533-500</a>
LC32BT2	<a href="#">250-1474-500</a>
LC32GT2	<a href="#">250-1472-500</a>
LC32RT2	<a href="#">250-1471-500</a>
LC32WT2	<a href="#">250-1475-500</a>
LC32YT2	<a href="#">250-1473-500</a>
LC33CN2	<a href="#">*130-0937-003</a>
LC33RN2	<a href="#">*130-0931-003</a>
LC33WT2	<a href="#">*130-0935-003</a>
LC33YN2	<a href="#">*130-0933-003</a>
LC34CN2/DO2	<a href="#">*271-0171</a>
LC34CN2/SO2	<a href="#">*271-0272</a>
LC34EN2/DO2	<a href="#">*271-0111</a>
LC34EN2 /EN2	<a href="#">*271-3111</a>
LC34EN2/SO2	<a href="#">*271-0212</a>
LC35RN2	<a href="#">128-0931-003</a>
LC35GN2	<a href="#">128-0932-003</a>
LC35YN2	<a href="#">128-0933-003</a>
LC35BN2	<a href="#">128-0934-003</a>
LC35CN2	<a href="#">128-0937-003</a>
LC35RT2	<a href="#">128-0971-003</a>
LC35GT2	<a href="#">128-0972-003</a>
LC35YT2	<a href="#">128-0973-003</a>
LC35BT2	<a href="#">128-0974-003</a>
LC35WT2	<a href="#">128-0975-003</a>
LC36GD2	<a href="#">160-0112-203</a>
LC36RD2	<a href="#">160-0111-203</a>
LC36YD2	<a href="#">160-0113-203</a>
LC37BD2	<a href="#">161-0114-203</a>
LC37CD2	<a href="#">161-0117-203</a>
LC37GD2	<a href="#">161-0112-203</a>
LC37RD2	<a href="#">161-0111-203</a>
LC37YD2	<a href="#">161-0113-203</a>
LH73/1	<a href="#">359-8430-09-502</a>
LH73/2	<a href="#">362-8430-09-702</a>
LH74/1	<a href="#">361-8836-09-552</a>
LH74/2	<a href="#">361-8864-09-522</a>
LH74/3	<a href="#">364-8836-09-752</a>
LH74/4	<a href="#">364-8864-09-722</a>
LH76/1	<a href="#">373-0408-01-273</a>
LH76/2	<a href="#">373-0463-01-223</a>
LH76/3	<a href="#">373-0410-01-203</a>
LH77/1	<a href="#">377-0408-11-273</a>
LH77/2	<a href="#">377-0463-11-223</a>
LH77/3	<a href="#">377-0410-11-203</a>

\*Can be used with Based LED Replacement Lamps

**MILITARY SPECIFICATION**

**MIL-DTL-3661C Lampholders, Indicator Lights, Indicator Light Housings, Indicator Light Lenses**

Military Designation	Dialight Part Number
LH79/1	<a href="#">378-3404-01-203</a>
LH80/1	<a href="#">378-3402-01-203</a>
LH88/1	<a href="#">366-8836-09-553</a>
LH88/2	<a href="#">366-8864-09-523</a>
LH89/1	<a href="#">367-8430-09-503</a>
LH90/1	<a href="#">370-8738-504</a>
LH90/2	<a href="#">371-8738-14-504</a>
LH90/3	<a href="#">371-8760-14-504</a>
LH92/1	<a href="#">271-8430-702</a>
LHC82/1BT2	<a href="#">252-9951-0974</a>
LHC82/1CN2	<a href="#">252-9951-0937</a>
LHC82/1GT2	<a href="#">252-9951-0972</a>
LHC82/1RT2	<a href="#">252-9951-0971</a>
LHC82/1WT2	<a href="#">252-9951-0975</a>
LHC82/1YT2	<a href="#">252-9951-0973</a>
MS18235-1BT	<a href="#">507-3909-1474-600</a>
MS18235-2GT	<a href="#">507-3914-1472-600</a>
MS18235-2RT	<a href="#">507-3914-1471-600</a>
MS18235-2WT	<a href="#">507-3914-1475-600</a>

Military Designation	Dialight Part Number
MS18235-2YT	<a href="#">507-3914-1473-600</a>
MS18235-3BT	<a href="#">507-3918-1474-600</a>
MS18235-3CN	<a href="#">507-3918-1437-600</a>
MS18235-3GT	<a href="#">507-3918-1472-600</a>
MS18235-3RT	<a href="#">507-3918-1471-600</a>
MS18235-3WT	<a href="#">507-3918-1475-600</a>
MS18235-3YT	<a href="#">507-3918-1473-600</a>
MS18236-1CN	<a href="#">507-5338-0937-630</a>
MS18236-1RN	<a href="#">507-5338-0931-630</a>
MS18236-1WT	<a href="#">507-5338-0935-630</a>
MS18236-1YN	<a href="#">507-5338-0933-630</a>
MS18236-2CN	<a href="#">507-5337-0937-670</a>
MS18236-2RN	<a href="#">507-5337-0931-670</a>
MS18236-2WT	<a href="#">507-5337-0935-670</a>
MS18237-1CN	<a href="#">507-5338-1537-630</a>
MS18237-1RN	<a href="#">507-5338-1531-630</a>
MS18237-1WT	<a href="#">507-5338-1535-630</a>
MS18237-1YN	<a href="#">507-5338-1533-630</a>
MS18237-2RN	<a href="#">507-5337-1531-670</a>

Military Designation	Dialight Part Number
MS18237-2WT	<a href="#">507-5337-1535-670</a>
MS18237-2YN	<a href="#">507-5337-1533-670</a>
MS25256-2	<a href="#">*162-8430-0933-502</a>
MS25256-4	<a href="#">162-8430-0932-502</a>
MS25256-6	<a href="#">*162-8430-0931-502</a>
MS25256-8	<a href="#">*162-8430-0937-502</a>
MS25256-10	<a href="#">162-8430-0975-502</a>
MS25256-12	<a href="#">162-8430-0934-502</a>
MS25257-2	<a href="#">137-8836-0933-552</a>
MS25257-4	<a href="#">137-8836-0931-552</a>
MS25257-6	<a href="#">137-8836-0937-552</a>
MS25446-2**	<a href="#">252-9951-0974</a>
MS25446-3**	<a href="#">252-9951-0972</a>
MS25446-4**	<a href="#">252-9951-0971</a>
MS25446-5**	<a href="#">252-9951-0975</a>
MS25446-6**	<a href="#">252-9951-0973</a>
MS25446-7**	<a href="#">252-9951-0937</a>

\*\* See LHC82/1

**MILITARY SPECIFICATION**

**MIL-L-7806-Light, Panel Plastic Plate Lighting**

Military Designation	Dialight Part Number
MS25010A11A	<a href="#">*270-1930-0111-702</a>
MS25010A12A	<a href="#">*270-1930-0171-702</a>
MS25010A13A	<a href="#">*270-1930-3111-702</a>
MS25010A14A	CONSULT FACTORY
MS25010A15A	<a href="#">*270-1930-0212-702</a>
MS25010A16A	<a href="#">*270-1930-0272-702</a>

Military Designation	Dialight Part Number
MS25010B11A	<a href="#">*270-1830-0111-702</a>
MS25010B12A	<a href="#">*270-1830-0171-702</a>
MS25010B13A	<a href="#">*270-1830-3111-702</a>
MS25010B14A	CONSULT FACTORY
MS25010B15A	<a href="#">*270-1830-0212-702</a>
MS25010B16A	<a href="#">*270-1830-0272-702</a>

Military Designation	Dialight Part Number
MS25010C11B	<a href="#">*271-8430-0111-702</a>
MS25010C12B	<a href="#">*271-8430-0171-702</a>
MS25010C13B	<a href="#">*271-8430-3111-702</a>
MS25010C14B	<a href="#">*271-8430-3171-702</a>
MS25010C15B	<a href="#">*271-8430-0212-702</a>
MS25010C16B	<a href="#">*271-8430-0272-702</a>

**MILITARY SPECIFICATION**

**MIL-L-7961C-Light, Indicator, Press-to-Test**

Military Designation	Dialight Part Number
MS25041-1	<a href="#">*801-1030-0337-504</a>
MS25041-2	<a href="#">*801-1030-0331-504</a>
MS25041-3	<a href="#">801-1030-0332-504</a>
MS25041-4	<a href="#">*801-1030-0333-504</a>
MS25041-5	<a href="#">*800-1030-0337-504</a>
MS25041-6	<a href="#">*800-1030-0331-504</a>

Military Designation	Dialight Part Number
MS25041-7	<a href="#">800-1030-0332-504</a>
MS25041-8	<a href="#">*800-1030-0333-504</a>
MS25041-10	<a href="#">801-1030-0334-504</a>
MS25041-11	<a href="#">800-1030-0334-504</a>
MS25331-1	<a href="#">804-1710-0337-504</a>
MS25331-2	<a href="#">804-1710-0331-504</a>

Military Designation	Dialight Part Number
MS25331-3	<a href="#">804-1710-0332-504</a>
MS25331-4	<a href="#">804-1710-0333-504</a>
MS25331-5	<a href="#">803-1710-0337-504</a>
MS25331-6	<a href="#">803-1710-0331-504</a>
MS25331-7	<a href="#">803-1710-0332-504</a>
MS25331-8	<a href="#">803-1710-0333-504</a>

\*Can be used with Based LED Replacement Lamps



249 SERIES

# Front or Rear Panel Mount Indicators

**MECHANICAL / SPECIFICATIONS**

MOUNTING HOLE SIZE:  
0.375" (9.53 mm)

MAX PANEL THICKNESS:  
0.312" (7.92 mm)

MOUNTING TORQUE:  
8–10 in-lbs torque

VOLTAGE OPTIONS:  
3.6, 5, 10, 14, and 28VDC  
(no resistor required)

OPERATING TEMP:  
-55 °C to +71 °C (-67 °F to +159.8 °F)

STORAGE TEMP:  
-55 °C to +71 °C (-67 °F to +159.8 °F)

ELECTRICAL CONNECTION:  
Turret terminals for wire wrapping

HOUSING:  
Aluminum — Black Anodized

TERMINALS:  
Phosphor Bronze — Fused Tin

KNURLED FLANGE NUT:  
Aluminum — Black Anodized

LOCK WASHER:  
Phosphor Bronze — White Nickel Plated

NUT:  
Brass — White Nickel Plated

**CERTIFICATIONS & RATINGS**  
RoHS compliant

**FEATURES & BENEFITS**

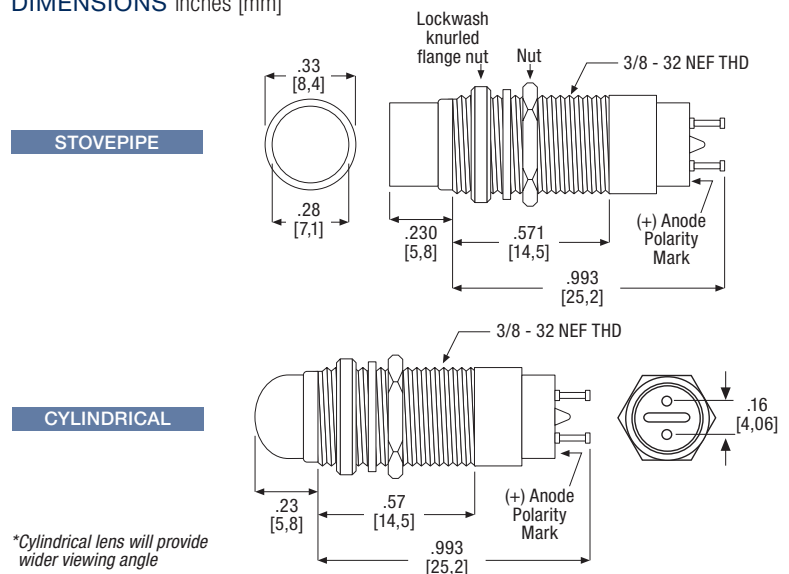
- For mounting in 3/8" clearance hole
- Complete package: light source, housing, and lens

**APPLICATION**

Dialight's 249 series LED panel mount indicator is available with a variety of LED's including AllnGap and InGan technology for high brightness applications. These indicators are designed for a variety of applications such as:

- Main and remote power indication
- Status indication
- Maintenance and warning indication
- Instrumentation
- Process control

**DIMENSIONS** inches [mm]



ORDERING INFORMATION

STOVEPIPE

Part Number	Color	Voltage (V DC)*	Current (mA)	Typical Intensity (mcd)
<a href="#">249-4162-3734-504F</a>	Blue	3.5**	10	1500
<a href="#">249-7867-3731-504F</a>	Red	3.6	20	170
<a href="#">249-7967-3732-504F</a>	Green			100
<a href="#">249-8067-3733-504F</a>	Yellow			150
<a href="#">249-4164-3734-504F</a>	Blue			5
<a href="#">249-7868-3731-504F</a>	Red	170		
<a href="#">249-7968-3732-504F</a>	Green	100		
<a href="#">249-8068-3733-504F</a>	Yellow	150		
<a href="#">249-4166-3734-504F</a>	Blue	10	20	1500
<a href="#">249-7870-3731-504F</a>	Red			170
<a href="#">249-7970-3732-504F</a>	Green			100
<a href="#">249-8070-3733-504F</a>	Yellow			150
<a href="#">249-4167-3734-504F</a>	Blue	14	20	1500
<a href="#">249-7871-3731-504F</a>	Red			170
<a href="#">249-7971-3732-504F</a>	Green			100
<a href="#">249-8071-3733-504F</a>	Yellow			150
<a href="#">249-4168-3734-504F</a>	Blue	28	20	1500
<a href="#">249-7872-3731-504F</a>	Red			170
<a href="#">249-7972-3732-504F</a>	Green			100
<a href="#">249-8072-3733-504F</a>	Yellow			150

CYLINDRICAL

Part Number	Color	Voltage (V DC)*	Current (mA)	Typical Intensity (mcd)
<a href="#">249-4162-3334-504F</a>	Blue	3.5**	10	700
<a href="#">249-7867-3331-504F</a>	Red	3.6	20	55
<a href="#">249-7967-3332-504F</a>	Green			40
<a href="#">249-8067-3333-504F</a>	Yellow			75
<a href="#">249-4164-3334-504F</a>	Blue			5
<a href="#">249-7868-3331-504F</a>	Red	55		
<a href="#">249-7968-3332-504F</a>	Green	40		
<a href="#">249-8068-3333-504F</a>	Yellow	75		
<a href="#">249-4166-3334-504F</a>	Blue	10	20	700
<a href="#">249-7870-3331-504F</a>	Red			55
<a href="#">249-7970-3332-504F</a>	Green			40
<a href="#">249-8070-3333-504F</a>	Yellow			75
<a href="#">249-4167-3334-504F</a>	Blue	14	20	700
<a href="#">249-7871-3331-504F</a>	Red			55
<a href="#">249-7971-3332-504F</a>	Green			40
<a href="#">249-8071-3333-504F</a>	Yellow			75
<a href="#">249-4168-3334-504F</a>	Blue	28	20	700
<a href="#">249-7872-3331-504F</a>	Red			55
<a href="#">249-7972-3332-504F</a>	Green			40
<a href="#">249-8072-3333-504F</a>	Yellow			75



Dialight reserves the right to make changes at any time in order to supply the best product possible. The most current version of this document will always be available at: [www.dialightsignalsandcomponents.com](http://www.dialightsignalsandcomponents.com)

Warranty Statement: Except for the warranty expressly provided for at: [www.dialight.com/resources/warranties/](http://www.dialight.com/resources/warranties/), Dialight disclaims any and all other warranties, express or implied, including, without limitation, any warranties of merchantability, fitness for a particular purpose, title, and noninfringement.



## 271 SERIES Indicator Base

### MECHANICAL / SPECIFICATIONS

BASE PART NUMBER:

[271-8430-702](#)

MOUNTING HOLE SIZE:

15/32" clearance hole (.468")

MOUNTING ORIENTATION: Rear

BULB BASE SIZE:

T-1 3/4 Midget Flange

TERMINATION:

Brass solder terminals, hot tinned

WITH ELONGATED SLOTS

HOUSING FINISH:

Brass housing, cadmium plated with yellow iridescent chromate finish

HARDWARE:

Internal tooth lock washer and hex mounting nut: steel, cadmium plated with yellow iridescent chromate finish

VOLTAGE / RESISTOR: Bulb Dependent

LENS CAP OPTIONS:

Light Seal Cap

MILITARY COMPLIANT: Yes

MILITARY CROSS #: LH92/1

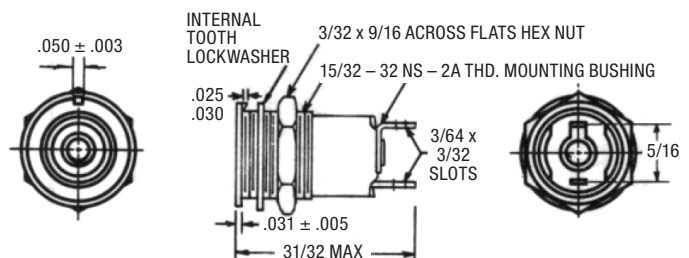
### FEATURES & BENEFITS

- Two terminals – fully insulated
- For mounting in 15/32" clearance hole
- Meets all applicable requirements of MIL-L7806, MIL-L-3361C and MS25010- REV D
- Anti-rotation notch on face of flange prevents rotation of unit while nut is being tightened
- Designed to emit light through a lens radially into the plastic plate. A resilient light seal washer insures against light loss at the front of the panel

### APPLICATION

- Military vehicles
- Aircraft cockpits
- Naval ship control panels
- Field communication equipment
- Weapons systems
- Surveillance and radar systems

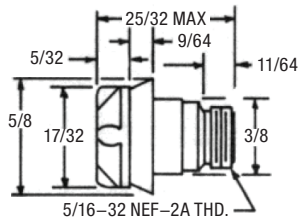
### DIMENSIONS inches [mm]



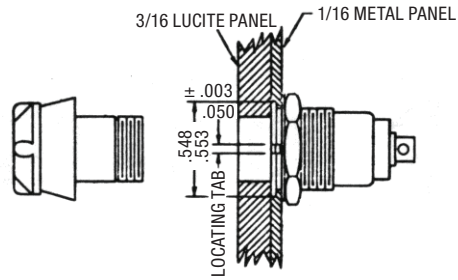
MAX PANEL THICKNESS 15/64"

*Base, bulb, and cap are required for a complete indicator assembly and need to be purchased separately.*

ORDERING INFORMATION



LIGHT SEAL CAP



LIGHT SEAL CAP ASSEMBLY

LIGHT SEAL CAP

	Type Designation	Part Number	Top Color	Filter Color	Light Seal Washer Opaque
	LC34EN2/D02	<a href="#">271-0111</a>	Black	● Red	Black
	LC34CN2/D02	<a href="#">271-0171</a>	Black	○ Clear	Black
	LC34EN/EN2	<a href="#">271-3111</a>	Red	● Red	Black
	-	<a href="#">271-3171</a>	Red	○ Clear	Black
	LC34EN2/S02	<a href="#">271-0212</a>	Gray	● Red	Gray
	LC34CN2/S02	<a href="#">271-0272</a>	Gray	○ Clear	Gray



## 359 SERIES Indicator Base

### MECHANICAL / SPECIFICATIONS

BASE PART NUMBER:

[359-8430-09-502](#)

MOUNTING:

15/32" clearance hole (.468")

MOUNTING ORIENTATION:

Front

BULB BASE SIZE:

T-1 3/4 Midget Flange

TERMINATION:

Brass solder terminals, hot tinned with elongated slots

HOUSING FINISH:

Aluminum housing, black anodized finish

HARDWARE:

Internal-tooth lock washer and mounting nut:  
Steel, cadmium plated with yellow iridescent chromate finish

VOLTAGE / RESISTOR: Bulb Dependent

LENS CAP OPTIONS:

Stovepipe and Cylindrical  
Non-Diffused and Translucent

MILITARY COMPLIANT: Yes

MILITARY CROSS #: LH73/1

### CERTIFICATIONS & RATINGS

RoHS Compliant w/6C exemption

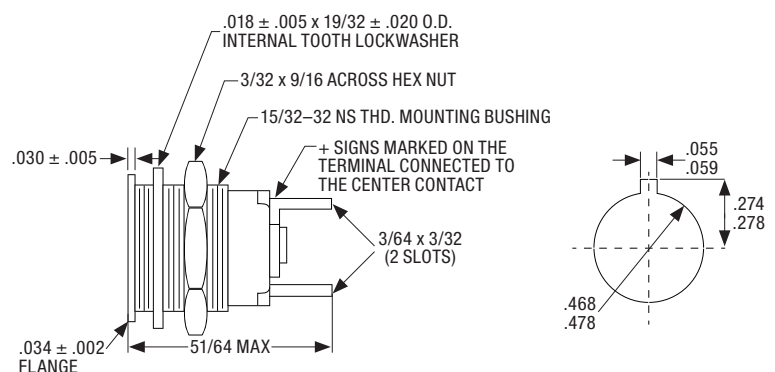
### FEATURES & BENEFITS

- Two terminals – fully insulated
- For mounting in 15/32" clearance hole
- Meet or exceed environmental and operational requirements of MIL-L-6723 and MIL-L-3661C
- Anti-rotation (locked) construction: provides for secure locking of the socket terminal assembly in the mounting bushing and of the center terminal to the insulating disc. The notched mounting bushing receives the matched insulating disc to prevent the rotation of the mounting bushing.

### APPLICATION

Aircraft instrumentation, ground vehicles, shipboard systems, communication equipment, power distribution, radar and sonar systems, control panels, safety systems

### DIMENSIONS inches [mm]

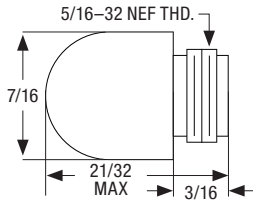


MAX PANEL THICKNESS 3/16"

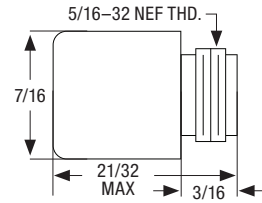
RECOMMENDED PANEL CUTOUT

*Base, bulb, and cap are required for a complete indicator assembly and need to be purchased separately.*

ORDERING INFORMATION



STOVEPIPE LENS CAP



CYLINDRICAL LENS CAP

STOVEPIPE LENS CAP  
Non-Diffused

	Type Designation	Part Number	Lens Cap Color
	LC12RN2	<a href="#">162-0931</a>	● Red
	LC12GN2	<a href="#">162-0932</a>	● Green
	LC12YN2	<a href="#">162-0933</a>	● Yellow
	LC12BN2	<a href="#">162-0934</a>	● Blue
	LC12CN2	<a href="#">162-0937</a>	○ Clear

CYLINDRICAL LENS CAP  
Non-Diffused

	Type Designation	Part Number	Lens Cap Color
	LC29RN2	<a href="#">162-1431</a>	● Red
	LC29GN2	<a href="#">162-1432</a>	● Green
	LC29YN2	<a href="#">162-1433</a>	● Yellow
	LC29BN2	<a href="#">162-1434</a>	● Blue
	LC29CN2	<a href="#">162-1437</a>	○ Clear

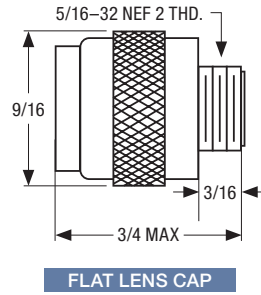
Translucent

	Type Designation	Part Number	Lens Cap Color
	LC12RT2	<a href="#">162-0971</a>	● Red
	LC12GT2	<a href="#">162-0972</a>	● Green
	LC12YT2	<a href="#">162-0973</a>	● Yellow
	LC12BT2	<a href="#">162-0974</a>	● Blue
	LC12WT2	<a href="#">162-0975</a>	○ White

Translucent

	Type Designation	Part Number	Lens Cap Color
	LC29RT2	<a href="#">162-1471</a>	● Red
	LC29GT2	<a href="#">162-1472</a>	● Green
	LC29YT2	<a href="#">162-1473</a>	● Yellow
	LC29BT2	162-1474	● Blue
	LC29WT2	<a href="#">162-1475</a>	○ White



ORDERING INFORMATION



FLAT LENS CAP  
Non-Diffused

	Type Designation	Part Number	Lens Cap Color
	LC11RN2	<a href="#">178-0331-500</a>	● Red
	LC11GN2	<a href="#">178-0332-500</a>	● Green
	LC11YN2	<a href="#">178-0333-500</a>	● Yellow
	LC11BN2	<a href="#">178-0334-500</a>	● Blue
	LC11CN2	<a href="#">178-0337-500</a>	○ Clear

Translucent

	Type Designation	Part Number	Lens Cap Color
	LC11RT2	<a href="#">178-0371-500</a>	● Red
	LC11GT2	<a href="#">178-0372-500</a>	● Green
	LC11YT2	<a href="#">178-0373-500</a>	● Yellow
	LC11BT2	<a href="#">178-0374-500</a>	● Blue
	LC11WT2	<a href="#">178-0375-500</a>	○ White



## 362 SERIES Indicator Base

### MECHANICAL / SPECIFICATIONS

BASE PART NUMBER:

[362-8430-09-702](#)

MOUNTING:

15/32" clearance hole (.468")

MOUNTING ORIENTATION:

Front

BULB BASE SIZE:

T-1 3/4 Midget Flange

TERMINATION:

Brass solder terminals, hot tinned with elongated slots

HOUSING FINISH:

Aluminum housing, yellow iridescent chromate finish

HARDWARE: Steel

VOLTAGE / RESISTOR:

Bulb Dependent

LENS CAP OPTIONS:

Flat

+ EMI/RFI mesh shielding internal

MILITARY COMPLIANT: Yes

MILITARY CROSS #: LH73/2

### CERTIFICATIONS & RATINGS

RoHS Compliant w/6C exemption

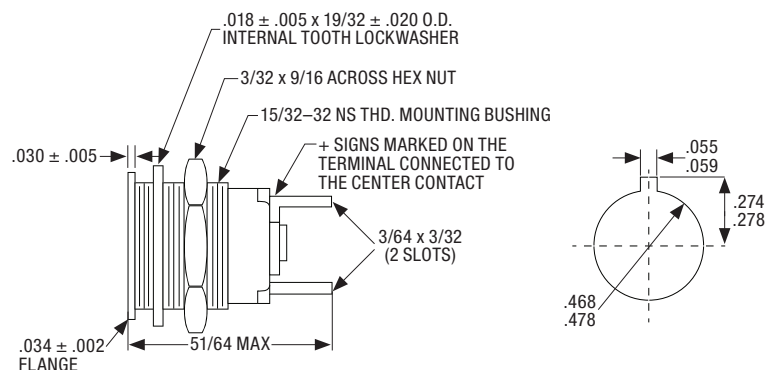
### FEATURES & BENEFITS

- EMI/RFI Shielding
- Two terminals – fully insulated
- For mounting in 15/32" clearance hole
- Meet or exceed environmental and operational requirements of MIL-L-6723 and MIL-L-3661C
- Anti-rotation (locked) construction: provides for secure locking of the socket terminal assembly in the mounting bushing and of the center terminal to the insulating disc. The notched mounting bushing receives the matched insulating disc to prevent the rotation of the mounting bushing.

### APPLICATION

- Aircraft avionics
- Ground vehicles
- Naval control rooms
- Radar and sonar systems
- Missile systems
- Satellite communication systems
- Electronic warfare systems
- Command and control centers
- UAVs
- Communication equipment

### DIMENSIONS inches [mm]

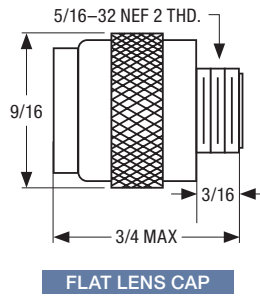


MAX PANEL THICKNESS 3/16"

RECOMMENDED PANEL CUTOUT

*Base, bulb, and cap are required for a complete indicator assembly and need to be purchased separately.*

ORDERING INFORMATION



FLAT LENS CAP  
Non-Diffused – RFI/EMI Shielding

	Type Designation	Part Number	Lens Cap Color
	LC25RN2	<a href="#">239-0331-500</a>	● Red
	LC25GN2	<a href="#">239-0332-500</a>	● Green
	LC25YN2	<a href="#">239-0333-500</a>	● Yellow
	LC25BN2	<a href="#">239-0334-500</a>	● Blue
	LC25CN2	<a href="#">239-0337-500</a>	○ Clear

Translucent – RFI/EMI Shielding

	Type Designation	Part Number	Lens Cap Color
	LC25RT2	<a href="#">239-0371-500</a>	● Red
	LC25GT2	<a href="#">239-0372-500</a>	● Green
	LC25YT2	<a href="#">239-0373-500</a>	● Yellow
	LC25BT2	<a href="#">239-0374-500</a>	● Blue
	LC25WT2	<a href="#">239-0375-500</a>	○ White



## 367 SERIES Indicator Base

### MECHANICAL / SPECIFICATIONS

BASE PART NUMBER:

[367-8430-09-503](#)

MOUNTING:

15/32" clearance hole (.468")

MOUNTING ORIENTATION: Front

BULB BASE SIZE:

T-1 3/4 Midget Flange

TERMINATION:

Brass solder terminals, hot tinned with elongated slots

HOUSING FINISH:

Aluminum housing, black anodized finish

HARDWARE:

Internal-tooth lock washer and mounting nut:  
Steel, cadmium plated with yellow iridescent chromate finish

VOLTAGE / RESISTOR:

Bulb Dependent

LENS CAP OPTIONS:

Stovepipe

Convex (with mechanical dimming options)

MILITARY COMPLIANT: Yes

MILITARY CROSS #: LH89/1

### CERTIFICATIONS & RATINGS

RoHS Compliant w/6C exemption

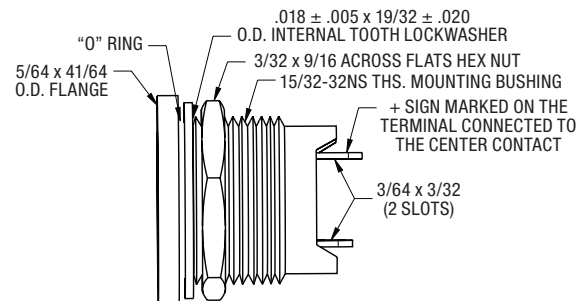
### FEATURES & BENEFITS

- Two terminals - fully insulated
- For mounting in 15/32" clearance hole
- Conforms to MIL-L-3661C
- Anti-rotation (locked) construction: provides for secure locking of the socket terminal assembly in the mounting bushing and of the center terminal to the insulating disc. The notched mounting bushing receives the matched insulating disc to prevent the rotation of the mounting bushing.
- Watertight lenses with mechanical dimming options available:
  - 160 series- complete blackout
  - 161 series- partial blackout

### APPLICATION

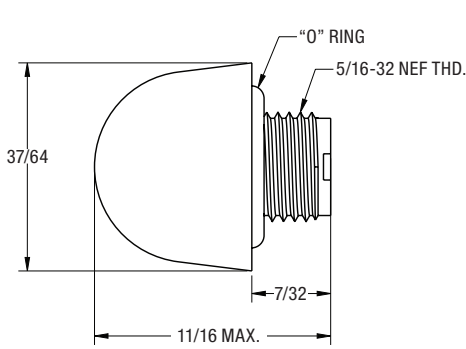
- Communication devices
- Navigation equipment
- Field medical equipment
- Tactical equipment
- Remote sensing devices
- UUV's, UAV's
- and many more...

### DIMENSIONS inches [mm]

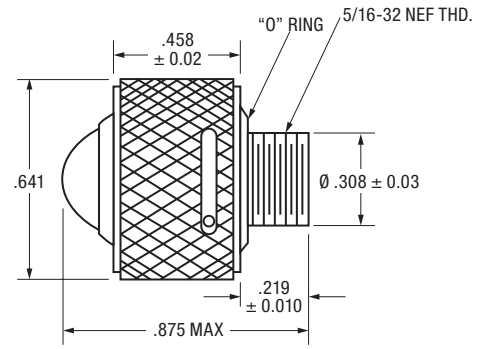


*Base, bulb, and cap are required for a complete indicator assembly and need to be purchased separately.*

DIMENSIONS inches [mm]



STOVEPIPE LENS CAP



CONVEX LENS CAP

ORDERING INFORMATION

STOVEPIPE LENS CAP  
Non-Diffused

	Type Designation	Part Number	Lens Cap Color
	LC35RN2	<a href="#">128-0931-003</a>	● Red
	LC35GN2	<a href="#">128-0932-003</a>	● Green
	LC35YN2	<a href="#">128-0933-003</a>	● Yellow
	LC35BN2	<a href="#">128-0934-003</a>	● Blue
	LC35CN2	<a href="#">128-0937-003</a>	○ Clear
	LC35RT2	<a href="#">128-0971-003</a>	● Red
	LC35GT2	<a href="#">128-0972-003</a>	● Green
	LC35YT2	<a href="#">128-0973-003</a>	● Yellow
	LC35BT2	<a href="#">128-0974-003</a>	● Blue
	LC35WT2	<a href="#">128-0975-003</a>	○ White

CONVEX LENS CAP  
Translucent Mechanical Dimming Full Black Out

	Type Designation	Part Number	Lens Cap Color
	LC36RD2	<a href="#">160-0111-203</a>	● Red
	LC36GD2	<a href="#">160-0112-203</a>	● Green
	LC36YD2	<a href="#">160-0113-203</a>	● Yellow
	LC36BD2	<a href="#">160-0114-203</a>	● Blue
	LC36CD2	<a href="#">160-0117-203</a>	○ Clear

Translucent Mechanical Dimming Partial Black Out

	LC37RD2	<a href="#">161-0111-203</a>	● Red
	LC37GD2	<a href="#">161-0112-203</a>	● Green
	LC37YD2	<a href="#">161-0113-203</a>	● Yellow
	LC37BD2	<a href="#">161-0114-203</a>	● Blue
	LC37CD2	<a href="#">161-0117-203</a>	○ Clear



Dialight reserves the right to make changes at any time in order to supply the best product possible. The most current version of this document will always be available at: [www.dialightsignalsandcomponents.com](http://www.dialightsignalsandcomponents.com)

Warranty Statement: Except for the warranty expressly provided for at: [www.dialight.com/resources/warranties/](http://www.dialight.com/resources/warranties/), Dialight disclaims any and all other warranties, express or implied, including, without limitation, any warranties of merchantability, fitness for a particular purpose, title, and noninfringement.



## 373 SERIES Indicator Base

### MECHANICAL / SPECIFICATIONS

BASE PART NUMBER:

[373-0410-01-203](#)

MOUNTING HOLE SIZE:

11/16" clearance hole (.688")

MOUNTING ORIENTATION:

Rear

BULB BASE SIZE:

T-3 1/4 Miniature Bayonet

TERMINATION:

Brass solder terminals, hot tinned with elongated slots

HOUSING FINISH:

Brass housing, black nickel finish

HARDWARE:

Mounting nut: Brass, white nickel finish  
Internal-tooth lockwasher: phosphor bronze, white nickel finish

VOLTAGE / RESISTOR: Bulb Dependent

LENS CAP OPTIONS:

Convex with mechanical dimming options available  
Non-Diffused, Translucent, Diffused

MILITARY COMPLIANT: Yes

MILITARY CROSS #: LH76/3

### CERTIFICATIONS & RATINGS

Watertight

*Base, bulb, and cap are required for a complete indicator assembly and need to be purchased separately.*

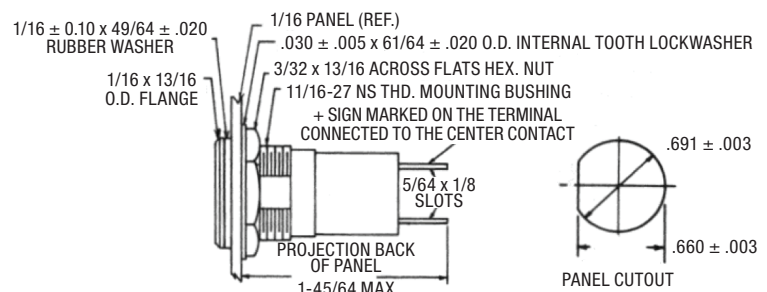
### FEATURES & BENEFITS

- For mounting in 11/16" clearance hole
- Meets MIL-L-3661C requirements
- Watertight screw-in lens cap
- Mechanical dimming lenses which provide adjustable intensity of light emission. Two options available:
  - Full Blackout (203 models)
  - Semi Blackout (204 models)

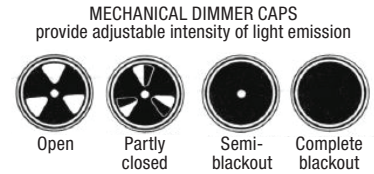
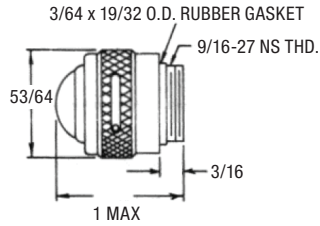
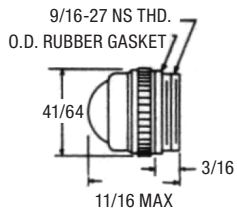
### APPLICATION

- Ground vehicles
- Power distribution centers
- Command and control centers
- Aircraft cockpits
- Naval vessels
- Underwater vehicles
- Surveillance systems
- Aircraft carrier decks
- Search and rescue equipment
- Surveillance drones
- UAV's
- and many more....

### DIMENSIONS inches [mm]



ORDERING INFORMATION



CONVEX LENS CAP  
Non-Diffused

	Type Designation	Part Number	Lens Cap Color
	LC14RN3	<a href="#">081-0131-203</a>	● Red
	LC14GN3	<a href="#">081-0132-203</a>	● Green
	LC14YN3	<a href="#">081-0133-203</a>	● Yellow
	LC14BN3	<a href="#">081-0134-203</a>	● Blue
	LC14WT3	<a href="#">081-0135-203</a>	○ White
	LC14CN3	<a href="#">081-0137-203</a>	○ Clear

Complete Blackout

	LC17RN3	<a href="#">203-0131-203</a>	● Red
	LC17GN3	<a href="#">203-0132-203</a>	● Green
	LC17YN3	<a href="#">203-0133-203</a>	● Yellow
	LC17BN3	<a href="#">203-0134-203</a>	● Blue
	LC17WT3	<a href="#">203-0135-203</a>	○ White
	LC17CN3	<a href="#">203-0137-203</a>	○ Clear

Semi-Blackout

	LC18RN3	<a href="#">204-0131-203</a>	● Red
	LC18GN3	<a href="#">204-0132-203</a>	● Green
	LC18YN3	<a href="#">204-0133-203</a>	● Yellow
	LC18BN3	<a href="#">204-0134-203</a>	● Blue
	LC18CN3	<a href="#">204-0137-203</a>	○ Clear

CONVEX LENS CAP  
Translucent

	Type Designation	Part Number	Lens Cap Color
	LC14RD3	<a href="#">081-0111-203</a>	● Red
	LC14GD3	<a href="#">081-0112-203</a>	● Green
	LC14YD3	<a href="#">081-0113-203</a>	● Yellow
	LC14BD3	<a href="#">081-0114-203</a>	● Blue
	LC14CD3	<a href="#">081-0117-203</a>	○ Clear

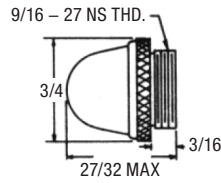
Translucent, Mechanical Dimming Full Blackout

	LC17RD3	<a href="#">203-0111-203</a>	● Red
	LC17GD3	<a href="#">203-0112-203</a>	● Green
	LC17YD3	<a href="#">203-0113-203</a>	● Yellow
	LC17BD3	<a href="#">203-0114-203</a>	● Blue
	LC17CD3	<a href="#">203-0117-203</a>	○ Clear







Translucent, Mechanical Dimming Feature Semi-Blackout

	LC18RD3	<a href="#">204-0111-203</a>	● Red
	LC18GD3	<a href="#">204-0112-203</a>	● Green
	LC18YD3	<a href="#">204-0113-203</a>	● Yellow
	LC18BD3	<a href="#">204-0114-203</a>	● Blue
	LC18CD3	<a href="#">204-0117-203</a>	○ Clear





ORDERING INFORMATION



CONVEX LENS CAP  
Non-Diffused

	Type Designation	Part Number	Lens Cap Color
	LC15RN3	<a href="#">026-1131-203</a>	● Red
	LC15GN3	<a href="#">026-1132-203</a>	● Green
	LC15YN3	<a href="#">026-1133-203</a>	● Yellow
	LC15BN3	<a href="#">026-1134-203</a>	● Blue
	LC15WT3	<a href="#">026-1135-203</a>	○ White
	LC15CN3	<a href="#">026-1137-203</a>	○ Clear

CONVEX LENS CAP  
Translucent

	Type Designation	Part Number	Lens Cap Color
	LC15RD3	<a href="#">026-1111-203</a>	● Red
	LC15GD3	<a href="#">026-1112-203</a>	● Green
	LC15YD3	<a href="#">026-1113-203</a>	● Yellow
	LC15BD3	<a href="#">026-1114-203</a>	● Blue



## 377 SERIES Indicator Base

### MECHANICAL / SPECIFICATIONS

BASE PART NUMBER:  
[377-0410-11-203](#)

MOUNTING HOLE SIZE:  
11/16" clearance hole (.688")

MOUNTING ORIENTATION: Rear

BULB BASE SIZE:  
T-3 1/4 Miniature Bayonet

TERMINATION:  
Brass solder terminals, hot tinned  
with elongated slots

HOUSING FINISH:  
Brass housing, black nickel finish

HARDWARE:  
Mounting nut: Brass, white nickel finish  
Internal-tooth lockwasher: phosphor bronze,  
white nickel finish

VOLTAGE / RESISTOR: Bulb Dependent

LENS CAP OPTIONS:  
Stovepipe  
Non-Diffused, Translucent, Diffused  
Available with internal fluting

MILITARY COMPLIANT: Yes  
MILITARY CROSS #: LH77/3

CERTIFICATIONS & RATINGS  
Watertight

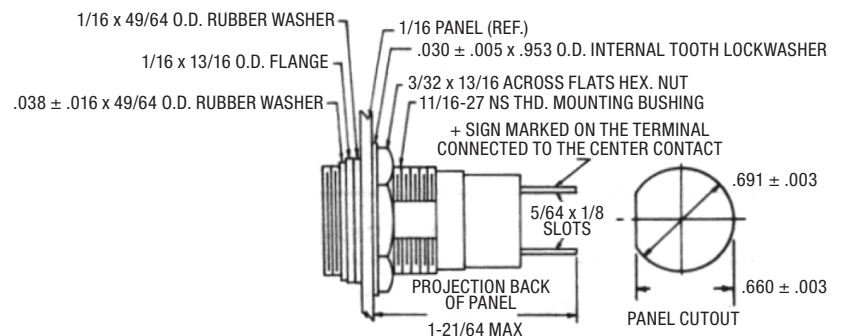
### FEATURES & BENEFITS

- For mounting in 11/16" clearance hole
- Meets MIL-L-3661C requirements
- Watertight screw-on lens cap

### APPLICATION

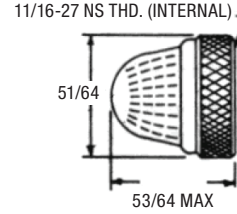
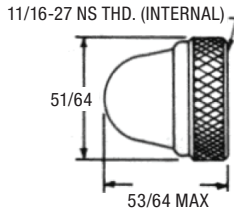
- Ground vehicles
- Power distribution centers
- Command and control centers
- Aircraft cockpits
- Naval vessels
- Underwater vehicles
- Surveillance systems
- Aircraft carrier decks
- Search and rescue equipment
- Surveillance drones
- UAV's
- and many more....

### DIMENSIONS inches [mm]







*Base, bulb, and cap are required for a complete indicator assembly and need to be purchased separately.*







ORDERING INFORMATION









STOVEPIPE LENS CAP  
Diffused

	Type Designation	Part Number	Lens Cap Color
	LC19RD3	<a href="#">169-1111-203</a>	● Red
	LC19GD3	<a href="#">169-1112-203</a>	● Green
	LC19YD3	<a href="#">169-1113-203</a>	● Yellow
	LC19BD3	<a href="#">169-1114-203</a>	● Blue
	LC19CD3	<a href="#">169-1117-203</a>	○ Clear

Non-Diffused

	LC19RN3	<a href="#">169-1131-203</a>	● Red
	LC19GN3	<a href="#">169-1132-203</a>	● Green
	LC19YN3	<a href="#">169-1133-203</a>	● Yellow
	LC19BN3	<a href="#">169-1134-203</a>	● Blue
	LC19WT3	<a href="#">169-1135-203</a>	○ White
	LC19CN3	<a href="#">169-1137-203</a>	○ Clear

STOVEPIPE LENS CAP  
Non-Diffused With Internal Fluting

	Type Designation	Part Number	Lens Cap Color
	LC20RN3	<a href="#">169-1191-203</a>	● Red
	LC20GN3	<a href="#">169-1192-203</a>	● Green
	LC20YN3	<a href="#">169-1193-203</a>	● Yellow
	LC20BN3	<a href="#">169-1194-203</a>	● Blue
	LC20WT3	<a href="#">169-1195-203</a>	○ White
	LC20CN3	<a href="#">169-1197-203</a>	○ Clear



## 378 SERIES Indicator Base

### MECHANICAL / SPECIFICATIONS

PART NUMBERS:  
[378-3402-01-203](#)

MOUNTING HOLE SIZE:  
1" clearance hole

MOUNTING ORIENTATION: Front

BULB BASE SIZE:  
S6 double contact bayonet base

TERMINATION:  
Brass solder terminals, hot tinned

HOUSING FINISH:  
Brass housing, black nickel finish

HARDWARE:  
Mounting nut: Brass, white nickel finish

INTERNAL-TOOTH LOCKWASHER:  
Phosphor bronze, white nickel finish

VOLTAGE:  
24v-250v, bulb dependent

LENS CAP OPTIONS:  
Convex or Torpedo Lens, Translucent or Diffused

MILITARY COMPLIANT: Yes

MILITARY CROSS #: LH79/1

### CERTIFICATIONS & RATINGS

Watertight

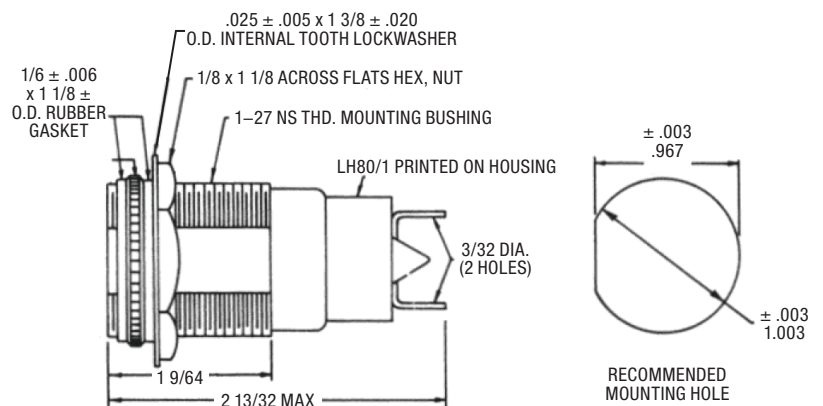
### FEATURES & BENEFITS

- For mounting in 1" clearance hole
- Meets MIL-L-3661C requirements
- Watertight screw-on lens cap

### APPLICATION

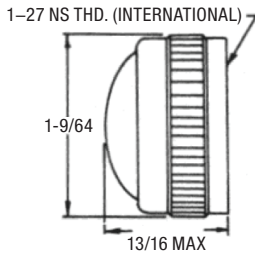
- Ground vehicles
- Power distribution centers
- Command and control centers
- Aircraft cockpits
- Naval vessels
- Underwater vehicles
- Surveillance systems
- Aircraft carrier decks
- Search and rescue equipment
- Surveillance drones
- UAV's
- and many more....

### DIMENSIONS inches [mm]

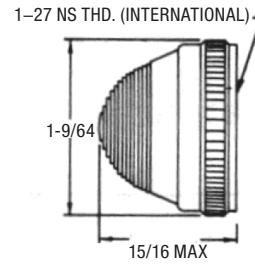


*Base, bulb, and cap are required for a complete indicator assembly and need to be purchased separately.*

ORDERING INFORMATION



CONVEX LENS CAP



TORPEDO LENS CAP

CONVEX LENS CAP

	Type Designation	Part Number	Color
	LC21RN3	<a href="#">051-0131-203</a>	● Red
	LC21GN3	<a href="#">051-0132-203</a>	● Green
	LC21YN3	<a href="#">051-0133-203</a>	● Yellow
	LC21BN3	<a href="#">051-0134-203</a>	● Blue
	LC21WT3	<a href="#">051-0135-203</a>	○ White
	LC21CN3	<a href="#">051-0137-203</a>	○ Clear
	LC21RD3	<a href="#">051-0111-203</a>	● Red
	LC21GD3	<a href="#">051-0112-203</a>	● Green
	LC21YD3	<a href="#">051-0113-203</a>	● Yellow
	LC21BD3	<a href="#">051-0114-203</a>	● Blue
	LC21CD3	051-0117-203	○ Clear

TORPEDO LENS CAP

	Type Designation	Part Number	Color
	LC22RN3	<a href="#">080-0531-203</a>	● Red
	LC22GN3	<a href="#">080-0532-203</a>	● Green
	LC22YN3	<a href="#">080-0533-203</a>	● Yellow
	LC24BN3	080-0534-203	● Blue
	LC22WT3	<a href="#">080-0535-203</a>	○ White
	LC22CN3	<a href="#">080-0537-203</a>	○ Clear
	LC22RD3	<a href="#">080-0511-203</a>	● Red
	LC22GD3	<a href="#">080-0512-203</a>	● Green
	LC22YD3	<a href="#">080-0513-203</a>	● Yellow
	LC22BD3	080-0514-203	● Blue
	LC22CD3	<a href="#">080-0517-203</a>	○ Clear



Dialight reserves the right to make changes at any time in order to supply the best product possible. The most current version of this document will always be available at: [www.dialightsignalsandcomponents.com](http://www.dialightsignalsandcomponents.com)

Warranty Statement: Except for the warranty expressly provided for at: [www.dialight.com/resources/warranties/](http://www.dialight.com/resources/warranties/), Dialight disclaims any and all other warranties, express or implied, including, without limitation, any warranties of merchantability, fitness for a particular purpose, title, and noninfringement.



## 800 SERIES Press-To-Test Assembly

### MECHANICAL / SPECIFICATIONS

MOUNTING HOLE SIZE:

XXXXXX

MAX PANEL THICKNESS:

XXXXXX

OPERATING TEMPERATURE:

XXXXXX

STORAGE TEMPERATURE:

XXXXXX

### CERTIFICATIONS & RATINGS

XXXXXXXX

### FEATURES & BENEFITS

- Bulleted text
- Bulleted text

### APPLICATION

Venis utem. Et volurptatem velitinum idero enim que il is eaquidendi te aborepr atatem si nonet andi te modit idelit, quidis erunt volum, omnihitatur molore nam quodisquam quibus. Num qui dolupta ssenimp erepro magnet vel. Estotat quia velic te dendipsa nam. D. Enem quisiti nctium d'ellitnqu. Quine nobis quos re. M. Plend. A dolorpos mo qui rest fugitatibus. Quia. di con ero opta

**COMING SOON!**

*Base, bulb, and cap are required for a complete indicator assembly and need to be purchased separately.*



803 SERIES

# Press-To-Test Assembly

MECHANICAL / SPECIFICATIONS

MOUNTING HOLE SIZE:

XXXXXX

MAX PANEL THICKNESS:

XXXXXX

OPERATING TEMPERATURE:

XXXXXX

STORAGE TEMPERATURE:

XXXXXX

CERTIFICATIONS & RATINGS

XXXXXXXX

FEATURES & BENEFITS

- Bulleted text
- Bulleted text

APPLICATION

Venis utem. Et volurptatem velitinum idero enim que il is eaquidendi te aborepr atatem si nonet andi te modit idelit, quidis erunt volum, omnihitatur molore nam quodisquam quibus. Num qui dolupta ssenimp erepro magnet vel. Estotat quia velic te dendipsa nam. D. Enem quisiti nctium d'ellitnqu. Quine nobis quos re. M. Plend. A dolorpos mo qui rest fugitatibus. Quia. di con ero opta

# COMING SOON!

*Base, bulb, and cap are required for a complete indicator assembly and need to be purchased separately.*



## 556 SERIES Standard Panel Mount Indicators

### MECHANICAL / SPECIFICATIONS

MOUNTING HOLE SIZE:  
1.0" (25.4 mm)

MAX PANEL THICKNESS:  
Flat: 0.600" (15.24 mm)  
Dome: 0.187" (4.27 mm)

MOUNTING TORQUE: 40 in-lbs

VOLTAGE OPTIONS:  
12 to 125VDC, and 125, 230VAC  
(no resistor required)

OPERATING TEMP:  
-30 °C to +85 °C (-22 °F to +185 °F)

STORAGE TEMP:  
-40 °C to +100 °C (-40 °F to +212 °F)

ELECTRICAL CONNECTION:  
6-32 screw terminals

HOUSING: Brass – White or Black Nickel Plated

TERMINALS: Brass – Hot solder dip  
per Mil-F-14072D, M258, Type II

LENS MATERIAL:  
Transparent Polycarbonate (UL 94V-0)

LOCK WASHER: Phosphor Bronze –  
White or Black Nickel Plated

NUT: Brass – White or Black Nickel Plated

### CERTIFICATIONS & RATINGS

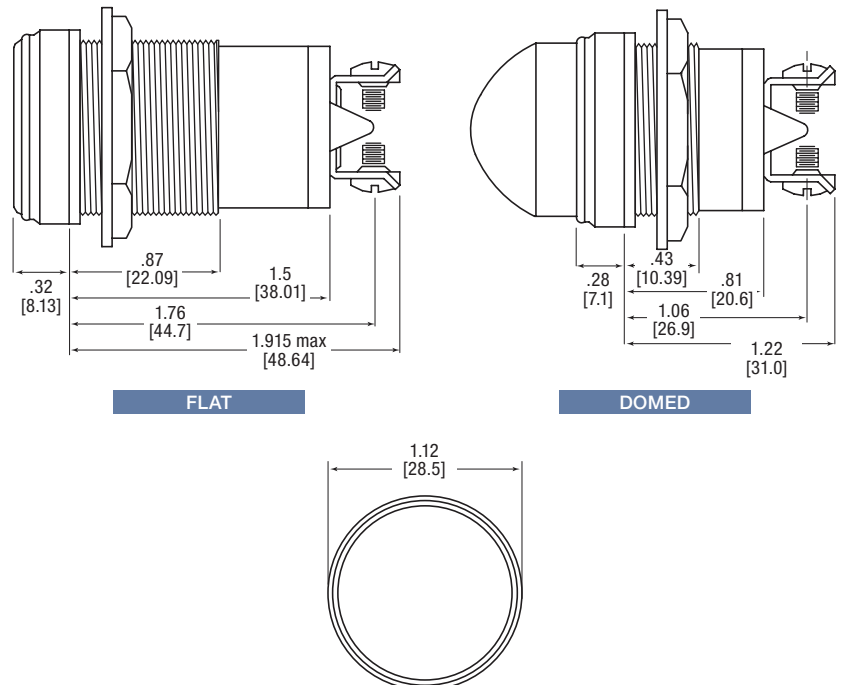
UL 508  
IP66  
NEMA 4X  
RoHS Compliant w/6C exemption  
IK07

### APPLICATION

The 556 Series LED Panel Mount Indicators incorporate both InGaN and AlInGaP technologies to offer maximum light output. This is a highly durable package, designed to withstand outdoor applications susceptible to rain, dust and sunlight:

- Instrument panels
- Safety applications
- Transportation: rail, bus, airline
- Vending, gaming
- Lane control
- Display lighting

### DIMENSIONS inches [mm]



ORDERING INFORMATION

FLAT LENS

White Nickel	Black Nickel	Color	Voltage (VDC)	Typ Current (mA)	Typical Intensity (mcd)
<a href="#">556-1003-304F</a>	<a href="#">556-1003-204F</a>	○ White	12	60	61,000
<a href="#">556-1503-304F</a>	<a href="#">556-1503-204F</a>	● Red		95	22,000
<a href="#">556-1603-304F</a>	<a href="#">556-1603-204F</a>	● Green		60	41,500
<a href="#">556-1683-304F</a>	<a href="#">556-1683-204F</a>	● Cyan		60	37,000
<a href="#">556-1703-304F</a>	<a href="#">556-1703-204F</a>	● Yellow		95	13,500
<a href="#">556-1803-304F</a>	<a href="#">556-1803-204F</a>	● Blue		60	13,000
<a href="#">556-1903-304F</a>	<a href="#">556-1903-204F</a>	● Orange		95	11,500
<a href="#">556-1004-304F</a>	<a href="#">556-1004-204F</a>	○ White		24	32
<a href="#">556-1504-304F</a>	<a href="#">556-1504-204F</a>	● Red	46		22,000
<a href="#">556-1604-304F</a>	<a href="#">556-1604-204F</a>	● Green	32		41,500
<a href="#">556-1684-304F</a>	<a href="#">556-1684-204F</a>	● Cyan	32		37,000
<a href="#">556-1704-304F</a>	<a href="#">556-1704-204F</a>	● Yellow	46		13,500
<a href="#">556-1804-304F</a>	<a href="#">556-1804-204F</a>	● Blue	32		13,000
<a href="#">556-1904-304F</a>	<a href="#">556-1904-204F</a>	● Orange	46		11,500
<a href="#">556-1508-304F</a>	<a href="#">556-1508-204F</a>	● Red	37.5		20
<a href="#">556-1608-304F</a>	<a href="#">556-1608-204F</a>	● Green		16	54,000
<a href="#">556-1708-304F</a>	<a href="#">556-1708-204F</a>	● Yellow		20	12,750
<a href="#">556-1506-304F</a>	<a href="#">556-1506-204F</a>	● Red	72	18.5	15,000
<a href="#">556-1606-304F</a>	<a href="#">556-1606-204F</a>	● Green		16	45,500
<a href="#">556-1706-304F</a>	<a href="#">556-1706-204F</a>	● Yellow		20	9,000
<a href="#">556-1806-304F</a>	<a href="#">556-1806-204F</a>	● Blue		18.5	15,000
<a href="#">556-1007-304F</a>		○ White	125	10.5	36,000
<a href="#">556-1507-304F</a>		● Red		10	8,000
<a href="#">556-1607-304F</a>		● Green			27,000
<a href="#">556-1707-304F</a>		● Yellow		5,750	
<a href="#">556-1005-304F</a>		○ White	125	11	35,000
<a href="#">556-1505-304F</a>		● Red		10.5	8,000
<a href="#">556-1605-304F</a>		● Green		9.5	29,000
<a href="#">556-1685-304F</a>		● Cyan		9.5	24,750
<a href="#">556-1705-304F</a>		● Yellow		10.5	5,750
<a href="#">556-1805-304F</a>		● Blue		9.5	7,750
<a href="#">556-1905-304F</a>		● Orange		10.5	6,000
<a href="#">556-1009-304F</a>		○ White		230	6
<a href="#">556-1509-304F</a>		● Red	7		8,000
<a href="#">556-1609-304F</a>		● Green			29,000
<a href="#">556-1709-304F</a>		● Yellow			5,750
<a href="#">556-1809-304F</a>		● Blue			7,750
<a href="#">556-1909-304F</a>		● Orange			6,000

FLAT LENS, DIFFUSED

White Nickel	Black Nickel	Color	Voltage	Typ Current (mA)	Typical Intensity (mcd)
<a href="#">556-1813-304F</a>		● Blue	12	60	13,000

ORDERING INFORMATION

DOMED LENS

White Nickel	Black Nickel	Color	Voltage (VDC)	Typ Current (mA)	Typical Intensity (mcd)
<a href="#">556-3003-304F</a>	<a href="#">556-3003-204F</a>	○ White	12	60	17,000
<a href="#">556-3503-304F</a>	<a href="#">556-3503-204F</a>	● Red		95	14,000
<a href="#">556-3603-304F</a>	<a href="#">556-3603-204F</a>	● Green		60	14,000
<a href="#">556-3683-304F</a>	<a href="#">556-3683-204F</a>	● Cyan		60	11,500
<a href="#">556-3703-304F</a>	<a href="#">556-3703-204F</a>	● Yellow		95	4,000
<a href="#">556-3803-304F</a>	<a href="#">556-3803-204F</a>	● Blue		60	12,000
<a href="#">556-3903-304F</a>	<a href="#">556-3903-204F</a>	● Orange		95	3,500
<a href="#">556-3004-304F</a>	<a href="#">556-3004-204F</a>	○ White	24	32	17,000
<a href="#">556-3504-304F</a>	<a href="#">556-3504-204F</a>	● Red		46	14,000
<a href="#">556-3604-304F</a>	<a href="#">556-3604-204F</a>	● Green		32	14,000
<a href="#">556-3684-304F</a>	<a href="#">556-3684-204F</a>	● Cyan		32	11,500
<a href="#">556-3704-304F</a>	<a href="#">556-3704-204F</a>	● Yellow		46	4,000
<a href="#">556-3804-304F</a>	<a href="#">556-3804-204F</a>	● Blue		32	12,000
<a href="#">556-3904-304F</a>	<a href="#">556-3904-204F</a>	● Orange		46	3,500
<a href="#">556-3508-304F</a>	<a href="#">556-3508-204F</a>	● Red	37.5	20	4,750
<a href="#">556-3608-304F</a>	<a href="#">556-3608-204F</a>	● Green		16	15,750
<a href="#">556-3708-304F</a>	<a href="#">556-3708-204F</a>	● Yellow		20	3,250
<a href="#">556-3506-304F</a>	<a href="#">556-3506-204F</a>	● Red	72	18.5	4,200
<a href="#">556-3606-304F</a>	<a href="#">556-3606-204F</a>	● Green		16	14,250
<a href="#">556-3706-304F</a>	<a href="#">556-3706-204F</a>	● Yellow		20	2,600
<a href="#">556-3806-304F</a>	<a href="#">556-3806-204F</a>	● Blue		18.5	4,500
<a href="#">556-3007-304F</a>		○ White	125	10.5	10,250
<a href="#">556-3507-304F</a>		● Red			2,500
<a href="#">556-3607-304F</a>		● Green		10	8,250
<a href="#">556-3707-304F</a>		● Yellow			1,500
<a href="#">556-3005-304F</a>		○ White	125	11	10,250
<a href="#">556-3505-304F</a>		● Red		10.5	2,500
<a href="#">556-3605-304F</a>		● Green		9.5	9,500
<a href="#">556-3685-304F</a>		● Cyan		9.5	6,500
<a href="#">556-3705-304F</a>		● Yellow		10.5	1,750
<a href="#">556-3805-304F</a>		● Blue		9.5	3,000
<a href="#">556-3905-304F</a>		● Orange		10.5	1,750
<a href="#">556-3009-304F</a>		○ White	230	6	10,250
<a href="#">556-3509-304F</a>		● Red			2,500
<a href="#">556-3609-304F</a>		● Green			9,500
<a href="#">556-3709-304F</a>		● Yellow		7	1,750
<a href="#">556-3809-304F</a>		● Blue			3,000
<a href="#">556-3909-304F</a>		● Orange			1,750



Dialight reserves the right to make changes at any time in order to supply the best product possible. The most current version of this document will always be available at: [www.dialightsignalsandcomponents.com](http://www.dialightsignalsandcomponents.com)

Warranty Statement: Except for the warranty expressly provided for at: [www.dialight.com/resources/warranties/](http://www.dialight.com/resources/warranties/), Dialight disclaims any and all other warranties, express or implied, including, without limitation, any warranties of merchantability, fitness for a particular purpose, title, and noninfringement.



556 SERIES

# Standard Panel Mount Indicators

Constant Intensity, 18–48VDC

**MECHANICAL / SPECIFICATIONS**

- MOUNTING HOLE SIZE:  
1.0" (25.4 mm)
- MAX PANEL THICKNESS:  
Flat: 0.600" (15.24 mm)  
Dome: 0.187" (4.27 mm)
- MOUNTING TORQUE: 40 in-lbs
- VOLTAGE OPTIONS: 18–48VDC  
(internal resistor included)
- OPERATING TEMP:  
-30 °C to +85 °C (-22 °F to +185 °F)
- STORAGE TEMP:  
-40 °C to +100 °C (-40 °F to +212 °F)
- ELECTRICAL CONNECTION:  
6-32 screw terminals
- HOUSING: Brass–  
White or Black Nickel Plated
- TERMINALS: Brass – Hot solder dip  
per Mil-F-14072D, M258, Type II
- LENS MATERIAL: Transparent  
Polycarbonate (UL 94V-0)
- LOCK WASHER: Phosphor Bronze–  
White or Black Nickel Plated
- NUT: Phosphor Bronze–  
White or Black Nickel Plated

**CERTIFICATIONS & RATINGS**

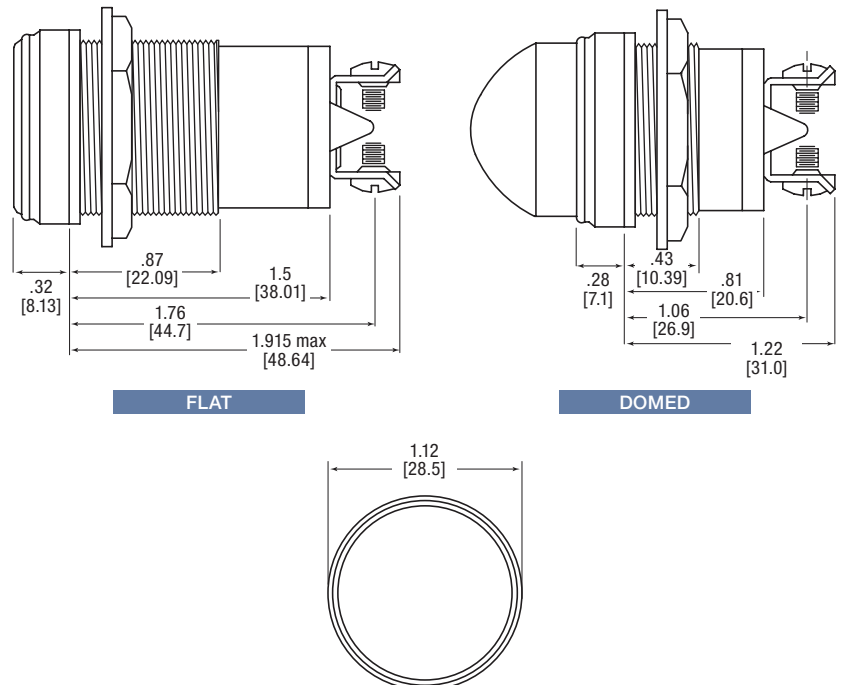
- IP66
- NEMA 4X
- RoHS Compliant w/6C exemption
- IK07

**APPLICATION**

The 556 Series LED Panel Mount Indicators incorporate both InGaN and AlInGaP technologies to offer maximum light output. This is a highly durable package, designed to withstand outdoor applications susceptible to rain, dust and sunlight:

- Instrument panels
- Safety applications
- Transportation: rail, bus, airline
- Vending, gaming
- Lane control
- Display lighting

**DIMENSIONS** inches [mm]



ORDERING INFORMATION

FLAT LENS		DOMED LENS		Color	Voltage (vdc)	Typ Current (mA)	Typical Intensity (mcd)
White Nickel Plating	Black Nickel Plating	White Nickel Plating	Black Nickel Plating				
<a href="#">556-150A-304F</a>	<a href="#">556-150A-204F</a>	<a href="#">556-350A-304F</a>	<a href="#">556-350A-204F</a>	● Red	18–48	7.3–8.2	1470–1500
<a href="#">556-160A-304F</a>	<a href="#">556-160A-204F</a>	<a href="#">556-360A-304F</a>	<a href="#">556-360A-204F</a>	● Green		6.5–7.4	200–230
<a href="#">556-170A-304F</a>	<a href="#">556-170A-204F</a>	<a href="#">556-370A-304F</a>	<a href="#">556-370A-204F</a>	● Yellow		8.0–8.9	630–660



Dialight reserves the right to make changes at any time in order to supply the best product possible. The most current version of this document will always be available at: [www.dialightsignalsandcomponents.com](http://www.dialightsignalsandcomponents.com)

Warranty Statement: Except for the warranty expressly provided for at: [www.dialight.com/resources/warranties/](http://www.dialight.com/resources/warranties/), Dialight disclaims any and all other warranties, express or implied, including, without limitation, any warranties of merchantability, fitness for a particular purpose, title, and noninfringement.



556 SERIES

# Daylight Viewable Panel Mount Indicators

**MECHANICAL / SPECIFICATIONS**

MOUNTING HOLE SIZE:  
1.0" (25.4 mm)

MAX PANEL THICKNESS:  
0.600" (15.24 mm)

MOUNTING TORQUE: 40 in-lbs

VOLTAGE OPTIONS:  
12 to 125VDC, and 125, 230VAC  
(no resistor required)

OPERATING TEMP:  
-30 °C to +85 °C (-22 °F to +185 °F)

STORAGE TEMP:  
-40 °C to +100 °C (-40 °F to +212 °F)

ELECTRICAL CONNECTION:  
6-32 screw terminals

HOUSING: Brass–  
White or Black Nickel Plated

TERMINALS: Brass– Hot solder dip  
per Mil-F-14072D, M258, Type II

LENS MATERIAL: Clear UV Stabilized  
Polycarbonate (UL 94V-0)

LOCK WASHER: Phosphor Bronze–  
White or Black Nickel Plated

NUT: Brass–White or Black Nickel Plated

**CERTIFICATIONS & RATINGS**

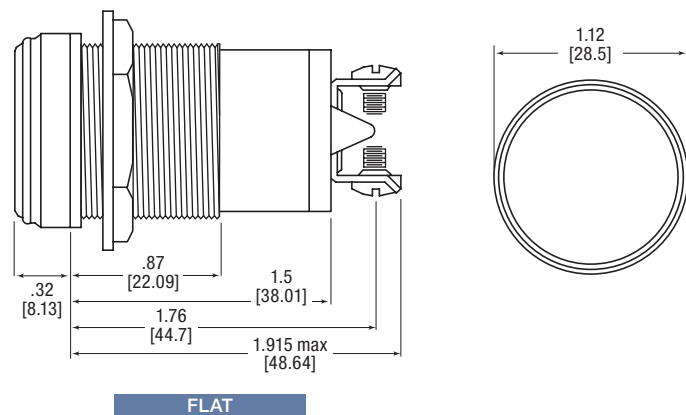
UL 508  
IP66  
NEMA 4X  
RoHS Compliant w/6C exemption

**APPLICATION**

The 556 Series LED Panel Mount Indicators incorporate both InGaN and AlInGaP technologies to offer maximum light output. This is a highly durable package, designed to withstand outdoor applications susceptible to rain, dust and sunlight:

- Instrument panels
- Safety applications
- UL 508 panel applications
- Agricultural controls
- Power generators
- Environmental monitoring equipment
- Ground support vehicles
- Pump system controllers
- Transportation - rail, bus, airline
- Lane control
- Display lighting

**DIMENSIONS** inches [mm]



ORDERING INFORMATION

White Nickel	Black Nickel	Color	Voltage	Typ Current (mA)	Typ Intensity (mcd)
<a href="#">556-1503-314F</a>	<a href="#">556-1503-214F</a>	● Red	12 VDC	95	27,250
<a href="#">556-1603-314F</a>	<a href="#">556-1603-214F</a>	● Green		60	71,500
<a href="#">556-1683-314F</a>	<a href="#">556-1683-214F</a>	● Cyan		60	48,250
<a href="#">556-1703-314F</a>	<a href="#">556-1703-214F</a>	● Yellow		95	17,500
<a href="#">556-1803-314F</a>	<a href="#">556-1803-214F</a>	● Blue		60	24,000
<a href="#">556-1903-314F</a>	<a href="#">556-1903-214F</a>	● Orange		95	22,250
<a href="#">556-1504-314F</a>	<a href="#">556-1504-214F</a>	● Red		24 VDC	46
<a href="#">556-1604-314F</a>	<a href="#">556-1604-214F</a>	● Green	32		71,500
<a href="#">556-1684-314F</a>	<a href="#">556-1684-214F</a>	● Cyan	32		48,250
<a href="#">556-1704-314F</a>	<a href="#">556-1704-214F</a>	● Yellow	46		17,500
<a href="#">556-1804-314F</a>	<a href="#">556-1804-214F</a>	● Blue	32		24,000
<a href="#">556-1904-314F</a>	<a href="#">556-1904-214F</a>	● Orange	46		22,250
<a href="#">556-1508-314F</a>	<a href="#">556-1508-214F</a>	● Red	37.5 VDC		20
<a href="#">556-1608-314F</a>	<a href="#">556-1608-214F</a>	● Green		16	80,000
<a href="#">556-1708-314F</a>	<a href="#">556-1708-214F</a>	● Yellow		20	18,000
<a href="#">556-1506-314F</a>	<a href="#">556-1506-214F</a>	● Red	72 VDC	18.5	20,500
<a href="#">556-1606-314F</a>	<a href="#">556-1606-214F</a>	● Green		16	65,500
<a href="#">556-1706-314F</a>	<a href="#">556-1706-214F</a>	● Yellow		20	15,000
<a href="#">556-1507-314F</a>		● Red	125 VDC		14,000
<a href="#">556-1607-314F</a>		● Green		10	44,750
<a href="#">556-1707-314F</a>		● Yellow			8,250
<a href="#">556-1505-314F</a>		● Red	125 VAC	10.5	13,500
<a href="#">556-1605-314F</a>		● Green		9.5	43,750
<a href="#">556-1685-314F</a>		● Cyan		9.5	32,000
<a href="#">556-1705-314F</a>		● Yellow		10.5	9,000
<a href="#">556-1805-314F</a>		● Blue		9.5	16,000
<a href="#">556-1905-314F</a>		● Orange		10.5	11,000
<a href="#">556-1509-314F</a>		● Red		230 VAC	
<a href="#">556-1609-314F</a>		● Green			43,750
<a href="#">556-1709-314F</a>		● Yellow	7		9,000
<a href="#">556-1809-314F</a>		● Blue			16,000
<a href="#">556-1909-314F</a>		● Orange			11,000



Dialight reserves the right to make changes at any time in order to supply the best product possible. The most current version of this document will always be available at: [www.dialightsignalsandcomponents.com](http://www.dialightsignalsandcomponents.com)

Warranty Statement: Except for the warranty expressly provided for at: [www.dialight.com/resources/warranties/](http://www.dialight.com/resources/warranties/), Dialight disclaims any and all other warranties, express or implied, including, without limitation, any warranties of merchantability, fitness for a particular purpose, title, and noninfringement.



556 SERIES

# Daylight Viewable Panel Mount Indicators

Constant Intensity, 18–48VDC

**MECHANICAL / SPECIFICATIONS**

MOUNTING HOLE SIZE:  
1.0" (25.4 mm)

MAX PANEL THICKNESS:  
0.600" (15.24 mm)

MOUNTING TORQUE: 40 in-lbs

VOLTAGE OPTIONS:  
18–48VDC  
(internal resistor included)

OPERATING TEMP:  
-30 °C to +85 °C (-22 °F to +185 °F)

STORAGE TEMP:  
-40 °C to +100 °C (-40 °F to +212 °F)

ELECTRICAL CONNECTION:  
6-32 screw terminals

HOUSING: Brass–  
White or Black Nickel Plated

TERMINALS: Brass– Hot solder dip  
per Mil-F-14072D, M258, Type II

LENS MATERIAL: Clear UV Stabilized  
Polycarbonate (UL 94V-0)

LOCK WASHER: Phosphor Bronze–  
White or Black Nickel Plated

NUT: Brass–White or Black Nickel Plated

**CERTIFICATIONS & RATINGS**

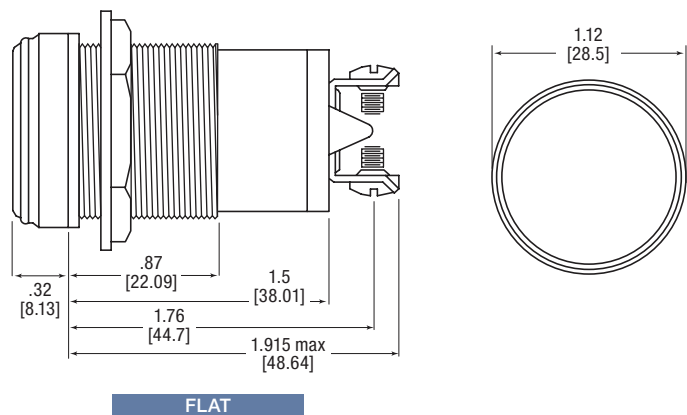
IP66  
NEMA 4X  
RoHS Compliant w/6C exemption

**APPLICATION**

The 556 Series LED Panel Mount Indicators incorporate both InGaN and AlInGaP technologies to offer maximum light output. This is a highly durable package, designed to withstand outdoor applications susceptible to rain, dust and sunlight:

- Instrument panels
- Safety applications
- UL 508 panel applications
- Agricultural controls
- Power generators
- Environmental monitoring equipment
- Ground support vehicles
- Pump system controllers
- Transportation - rail, bus, airline
- Lane control
- Display lighting

**DIMENSIONS** inches [mm]



ORDERING INFORMATION

White Nickel	Black Nickel	Color	Voltage (vdc)	Typ Current (mA)	Typical Intensity (mcd)
<a href="#">556-150A-314F</a>	<a href="#">556-150A-214F</a>	● Red	18–48	7.3–8.2	1470–1500
<a href="#">556-160A-314F</a>	<a href="#">556-160A-214F</a>	● Green		6.5–7.4	200–230
<a href="#">556-170A-314F</a>	<a href="#">556-170A-214F</a>	● Yellow		8.0–8.9	630–660



Dialight reserves the right to make changes at any time in order to supply the best product possible. The most current version of this document will always be available at: [www.dialightsignalsandcomponents.com](http://www.dialightsignalsandcomponents.com)

Warranty Statement: Except for the warranty expressly provided for at: [www.dialight.com/resources/warranties/](http://www.dialight.com/resources/warranties/), Dialight disclaims any and all other warranties, express or implied, including, without limitation, any warranties of merchantability, fitness for a particular purpose, title, and noninfringement.



556 SERIES

**Class 1, Division 2  
Panel Mount Indicators**

**MECHANICAL / SPECIFICATIONS**

MOUNTING HOLE SIZE:  
1.0" (25.4 mm)

MAX PANEL THICKNESS:  
Flat: 0.600" (15.24 mm)  
Dome: 0.187" (4.27 mm)

MOUNTING TORQUE: 40 in-lbs

VOLTAGE OPTIONS:  
12 to 125 VDC, 125, 230 VAC and  
18-48 VDC Constant Intensity  
No external resistor required

OPERATING TEMP:  
-30 °C to +85 °C (-22 °F to +185 °F)

STORAGE TEMP:  
-40 °C to +100 °C (-40 °F to +212 °F)

ELECTRICAL CONNECTION: 6-32 screw terminals

HOUSING: Brass – White or Black Nickel Plated

TERMINALS: Brass – Hot solder dip  
per Mil-F-14072D, M258, Type II

LENS MATERIAL:  
Transparent Polycarbonate (UL 94V-0)

LOCK WASHER: Phosphor Bronze –  
White or Black Nickel Plated

NUT: Brass – White or Black Nickel Plated

**CERTIFICATIONS & RATINGS**

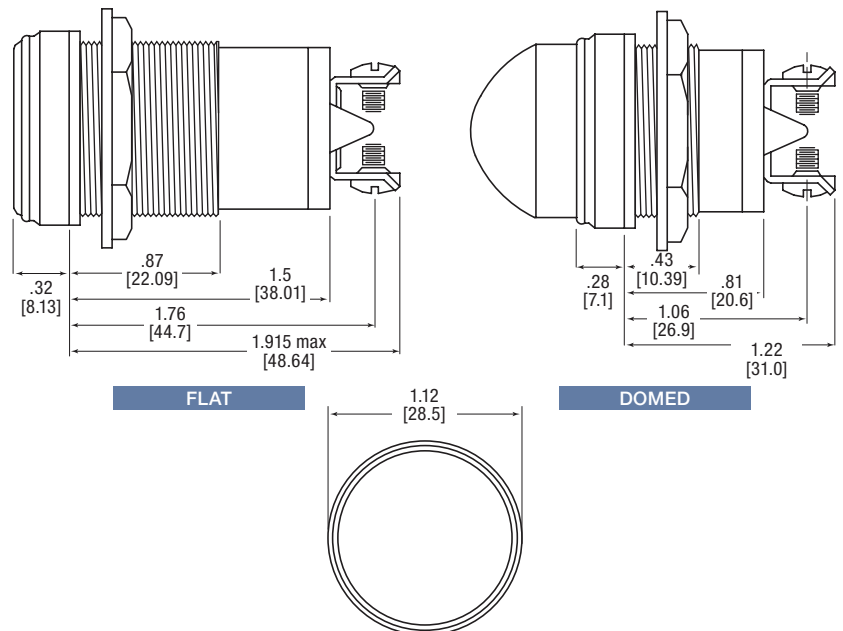
UL 508  
IP66  
NEMA 4X  
RoHS Compliant w/6C exemption  
IK07

**APPLICATION**

This is a highly durable package, designed to withstand outdoor applications susceptible to rain, dust and sunlight. In addition, the Class 1, Division 2 rating allows for use in hazardous environments common to the oil and gas, mining, and chemical industries:

- Instrument panels
- Safety applications
- UL 508 panel applications
- Petrochemical applications
- Environmental monitoring equipment specifications
- Pump system controllers
- Mining application
- Oil refineries
- Agricultural controls
- Power generators

**DIMENSIONS** inches [mm]



ORDERING INFORMATION

FLAT LENS

White Nickel	Black Nickel	Color	Voltage	Typ Current (mA)	Typical Intensity (mcd)
<a href="#">556-1003-324F</a>	<a href="#">556-1003-224F</a>	○ White	12 VDC	60	61,000
<a href="#">556-1503-324F</a>	<a href="#">556-1503-224F</a>	● Red		95	22,000
<a href="#">556-1603-324F</a>	<a href="#">556-1603-224F</a>	● Green		60	41,500
<a href="#">556-1683-324F</a>	<a href="#">556-1683-224F</a>	● Cyan		60	37,000
<a href="#">556-1703-324F</a>	<a href="#">556-1703-224F</a>	● Yellow		95	13,500
<a href="#">556-1803-324F</a>	<a href="#">556-1803-224F</a>	● Blue		60	13,000
<a href="#">556-1903-324F</a>	<a href="#">556-1903-224F</a>	● Orange		95	11,500
<a href="#">556-1004-324F</a>	<a href="#">556-1004-224F</a>	○ White	24 VDC	32	61,000
<a href="#">556-1504-324F</a>	<a href="#">556-1504-224F</a>	● Red		46	22,000
<a href="#">556-1604-324F</a>	<a href="#">556-1604-224F</a>	● Green		32	41,500
<a href="#">556-1684-324F</a>	<a href="#">556-1684-224F</a>	● Cyan		32	37,000
<a href="#">556-1704-324F</a>	<a href="#">556-1704-224F</a>	● Yellow		46	13,500
<a href="#">556-1804-324F</a>	<a href="#">556-1804-224F</a>	● Blue		32	13,000
<a href="#">556-1904-324F</a>	<a href="#">556-1904-224F</a>	● Orange		46	11,500
<a href="#">556-1508-324F</a>	<a href="#">556-1508-224F</a>	● Red	37.5 VDC	20	14,000
<a href="#">556-1608-324F</a>	<a href="#">556-1608-224F</a>	● Green		16	54,000
<a href="#">556-1708-324F</a>	<a href="#">556-1708-224F</a>	● Yellow		20	12,750
<a href="#">556-1006-324F</a>	<a href="#">556-1006-224F</a>	○ White	72 VDC	18.5	15,000
<a href="#">556-1506-324F</a>	<a href="#">556-1506-224F</a>	● Red		18.5	45,500
<a href="#">556-1606-324F</a>	<a href="#">556-1606-224F</a>	● Green		16	9,000
<a href="#">556-1706-324F</a>	<a href="#">556-1706-224F</a>	● Yellow		20	15,000
<a href="#">556-1806-324F</a>	<a href="#">556-1806-224F</a>	● Blue		18.5	36,000
<a href="#">556-1007-324F</a>		○ White	125 VDC	10.5	8,000
<a href="#">556-1507-324F</a>		● Red		10	27,000
<a href="#">556-1607-324F</a>		● Green		10	5,750
<a href="#">556-1707-324F</a>		● Yellow		10	35,000
<a href="#">556-1005-324F</a>		○ White	125 VAC	11	8,000
<a href="#">556-1505-324F</a>		● Red		10.5	29,000
<a href="#">556-1605-324F</a>		● Green		9.5	24,750
<a href="#">556-1685-324F</a>		● Cyan		9.5	5,750
<a href="#">556-1705-324F</a>		● Yellow		10.5	7,750
<a href="#">556-1805-324F</a>		● Blue		9.5	6,000
<a href="#">556-1905-324F</a>		● Orange		10.5	35,000
<a href="#">556-1009-324F</a>		○ White	230 VAC	6	8,000
<a href="#">556-1509-324F</a>		● Red		7	29,000
<a href="#">556-1609-324F</a>		● Green		7	5,750
<a href="#">556-1709-324F</a>		● Yellow		7	7,750
<a href="#">556-1809-324F</a>		● Blue		7	6,000
<a href="#">556-1909-324F</a>		● Orange		7	3100

ORDERING INFORMATION

DOMED LENS

White Nickel	Black Nickel	Color	Voltage	Typ Current (mA)	Typical Intensity (mcd)
<a href="#">556-3003-324F</a>	<a href="#">556-3003-224F</a>	○ White	12 VDC	60	17,000
<a href="#">556-3503-324F</a>	<a href="#">556-3503-224F</a>	● Red		95	14,000
<a href="#">556-3603-324F</a>	<a href="#">556-3603-224F</a>	● Green		60	14,000
<a href="#">556-3683-324F</a>	<a href="#">556-3683-224F</a>	● Cyan		60	11,500
<a href="#">556-3703-324F</a>	<a href="#">556-3703-224F</a>	● Yellow		95	4,000
<a href="#">556-3803-324F</a>	<a href="#">556-3803-224F</a>	● Blue		60	12,000
<a href="#">556-3903-324F</a>	<a href="#">556-3903-224F</a>	● Orange		95	3,500
<a href="#">556-3004-324F</a>	<a href="#">556-3004-224F</a>	○ White	24 VDC	32	17,000
<a href="#">556-3504-324F</a>	<a href="#">556-3504-224F</a>	● Red		46	14,000
<a href="#">556-3604-324F</a>	<a href="#">556-3604-224F</a>	● Green		32	14,000
<a href="#">556-3684-324F</a>	<a href="#">556-3684-224F</a>	● Cyan		32	11,500
<a href="#">556-3704-324F</a>	<a href="#">556-3704-224F</a>	● Yellow		46	4,000
<a href="#">556-3804-324F</a>	<a href="#">556-3804-224F</a>	● Blue		32	12,000
<a href="#">556-3904-324F</a>	<a href="#">556-3904-224F</a>	● Orange		46	3,500
<a href="#">556-3508-324F</a>	<a href="#">556-3508-224F</a>	● Red	37.5 VDC	20	4,750
<a href="#">556-3608-324F</a>	<a href="#">556-3608-224F</a>	● Green		16	15,750
<a href="#">556-3708-324F</a>	<a href="#">556-3708-224F</a>	● Yellow		20	3,250
<a href="#">556-3006-324F</a>	<a href="#">556-3006-224F</a>	○ White	72 VDC	18.5	4,200
<a href="#">556-3506-324F</a>	<a href="#">556-3506-224F</a>	● Red		18.5	14,250
<a href="#">556-3606-324F</a>	<a href="#">556-3606-224F</a>	● Green		16	2,600
<a href="#">556-3706-324F</a>	<a href="#">556-3706-224F</a>	● Yellow		20	4,500
<a href="#">556-3806-324F</a>	<a href="#">556-3806-224F</a>	● Blue		18.5	10,250
<a href="#">556-3007-324F</a>		○ White	125 VDC	10.5	2,500
<a href="#">556-3507-324F</a>		● Red		10	8,250
<a href="#">556-3607-324F</a>		● Green		10	1,500
<a href="#">556-3707-324F</a>		● Yellow		10	10,250
<a href="#">556-3005-324F</a>		○ White	125 VAC	11	2,500
<a href="#">556-3505-324F</a>		● Red		10.5	9,500
<a href="#">556-3605-324F</a>		● Green		9.5	6,500
<a href="#">556-3685-324F</a>		● Cyan		9.5	1,750
<a href="#">556-3705-324F</a>		● Yellow		10.5	3,000
<a href="#">556-3805-324F</a>		● Blue		9.5	1,750
<a href="#">556-3905-324F</a>		● Orange		10.5	10,250
<a href="#">556-3009-324F</a>		○ White	230 VAC	6	2,500
<a href="#">556-3509-324F</a>		● Red		7	9,500
<a href="#">556-3609-324F</a>		● Green		7	1,750
<a href="#">556-3709-324F</a>		● Yellow		7	3,000
<a href="#">556-3809-324F</a>		● Blue		7	1,750
<a href="#">556-3909-324F</a>		● Orange		7	3100



Dialight reserves the right to make changes at any time in order to supply the best product possible. The most current version of this document will always be available at: [www.dialightsignalsandcomponents.com](http://www.dialightsignalsandcomponents.com)

Warranty Statement: Except for the warranty expressly provided for at: [www.dialight.com/resources/warranties/](http://www.dialight.com/resources/warranties/), Dialight disclaims any and all other warranties, express or implied, including, without limitation, any warranties of merchantability, fitness for a particular purpose, title, and noninfringement.



## 556 SERIES UV Certified Indicators

### MECHANICAL / SPECIFICATIONS

MOUNTING HOLE SIZE:  
1.0" (25.4 mm)

MAX PANEL THICKNESS:  
Flat: 0.600" (15.24 mm)

MOUNTING TORQUE: 40 in-lbs

VOLTAGE OPTIONS: 24 V DC

OPERATING TEMP:  
-40 °C to +100 °C (-22 °F to +185 °F)

STORAGE TEMP:  
-40 °C to +100 °C (-40 °F to +212 °F)

ELECTRICAL CONNECTION:  
8"-18" AWG wire

HOUSING: Brass — White

LENS MATERIAL: Glass

LOCK WASHER: Phosphor Bronze – White

NUT: Brass—White

### CERTIFICATIONS & RATINGS

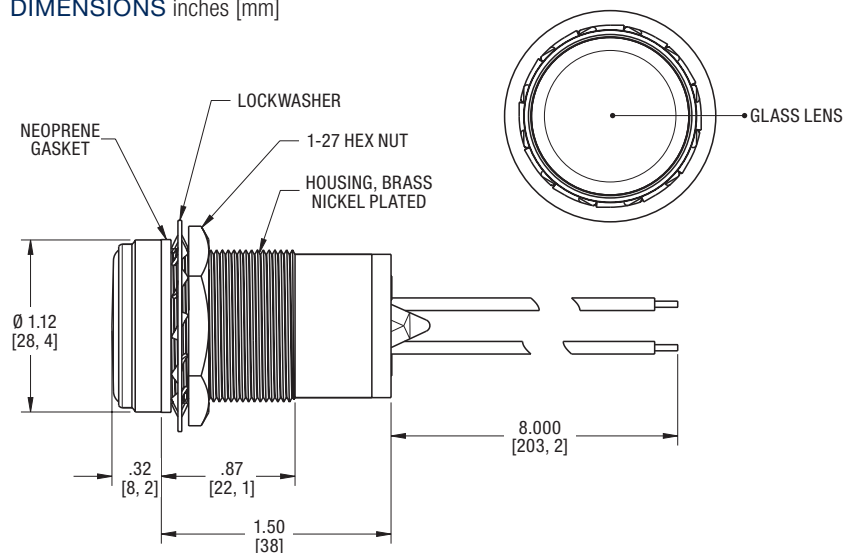
IP66  
NEMA 4X  
RoHS Compliant w/ 6C exemption

### APPLICATION

The 556 Series LED Panel Mount Indicators incorporate both InGaN and AlInGaP technologies to offer maximum light output. This is a highly durable package, designed to withstand outdoor applications susceptible to rain, dust and sunlight:

- Instrument panels
- Safety applications
- Transportation: rail, bus, airline
- Vending, gaming
- Lane control
- Display lighting

### DIMENSIONS inches [mm]



ORDERING INFORMATION

FLAT LENS

White Nickel	Color	Voltage	Typ Current (mA)	Typical Intensity (mcd)
<a href="#">556-10B4-304F</a>	○ White	24 VDC	32	61,000
<a href="#">556-15B4-304F</a>	● Red		46	22,000
<a href="#">556-16B4-304F</a>	● Green		32	41,500
<a href="#">556-17B4-304F</a>	● Yellow		46	13,500
<a href="#">556-18B4-304F</a>	● Blue		32	13,000



Dialight reserves the right to make changes at any time in order to supply the best product possible. The most current version of this document will always be available at: [www.dialightsignalsandcomponents.com](http://www.dialightsignalsandcomponents.com)

Warranty Statement: Except for the warranty expressly provided for at: [www.dialight.com/resources/warranties/](http://www.dialight.com/resources/warranties/), Dialight disclaims any and all other warranties, express or implied, including, without limitation, any warranties of merchantability, fitness for a particular purpose, title, and noninfringement.



## 559 SERIES Snap-In LED

.250" (6.35 mm) Mounting Hole

### MECHANICAL / SPECIFICATIONS

MOUNTING HOLE SIZE:

0.249 – 0.252" (6.32 – 6.40 mm)

MAX PANEL THICKNESS:

0.031 – 0.062" (.787 – 1.57 mm)

MOUNTING TORQUE: N/A

VOLTAGE OPTIONS:

1.6 – 2.3 V DC typical (resistor required)  
5, 12, 24V DC (no resistor required)

OPERATING TEMP: See table

STORAGE TEMP:

-55 °C to +100 °C (-67 °F to +212 °F)

ELECTRICAL CONNECTION:

Straight terminals for wire wrapping  
or 24 AWG lead wire

HOUSING: Black — UL94V-0 and  
enhances LED contrast

WIRE LEADS: 6" or 14"

CONNECTORS: Available upon request

POSSIBLE CONNECTORS:

Molex 50-57-9402  
AMP 3-643814-3

TERMINALS: Available upon request

POSSIBLE TERMINALS:

Molex 16-02-0069, 16-02-077,  
AMP 42067-1

### CERTIFICATIONS & RATINGS

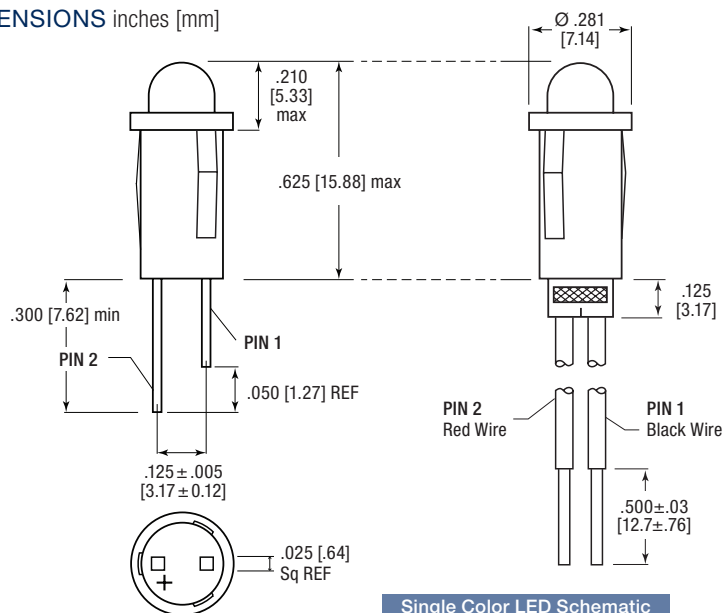
RoHS compliant

### APPLICATION

Dialight's 559 series LED panel mount indicator is available with a variety of LEDs including AlInGaP and InGaN technology for high brightness applications, bicolor and integral resistors.

- Fan tray assemblies
- Data-center infrastructure (servers and storage)
- Next-gen wireless infrastructure
- Electronic test and measurement instruments
- Communications testing equipment
- Hand held devices

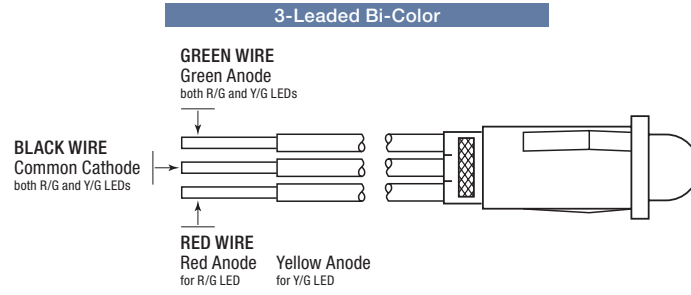
### DIMENSIONS inches [mm]



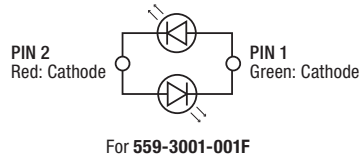
Single Color LED Schematic



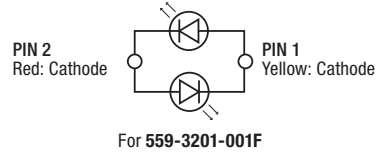
DIMENSIONS inches [mm]



**Bi-Color Red/Green LED Schematic**



**Bi-Color Yellow/Green LED Schematic**



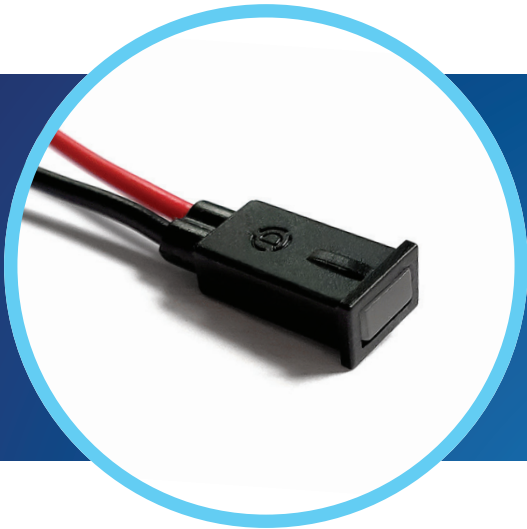
ORDERING INFORMATION

LED Code	Color	Peak Wavelength (nm)	Intensity Typ. (mcd)	If Typ. (mA)	Vf Typ. (V DC)	Viewing Angle	Max DC Forward Current (mA)	Type	Operating Temp
<a href="#">5501</a>	● Red	635	125	20	2.2	24	30	Non-Tinted/ Non-Diffused	-55 °C to +100 °C
<a href="#">5601</a>	● Green	565	120		2.3	24	30		-20 °C to +100 °C
<a href="#">5701</a>	● Yellow	583	140		2.1	24	20		-55 °C to +100 °C
<a href="#">5801</a>	● Orange	605	90		2.2	20	50		-30 °C to +85 °C
<a href="#">5901</a>	● Yellow	592	3100		2	15	50		-40 °C to +100 °C
<a href="#">6001</a>	● Blue	470	1500		3.6	30	30		-30 °C to +85 °C
<a href="#">6101</a>	● Red	635	2100		1.9	15	50		-40 °C to +100 °C
<a href="#">6201</a>	● Green	525	5000		3.2	30	30		-30 °C to +85 °C
<a href="#">6301</a>	● Orange	609	4000		1.9	15	50		-40 °C to +100 °C
<a href="#">6401</a>	○ White	X = .31 Y = .32	2500		3.2	50	30		-30 °C to +85 °C
<a href="#">1101</a>	● Red	635	2.3	2	1.7	50	7	Low Current Diffused	-55 °C to +100 °C
<a href="#">1201</a>	● Yellow	583	1.8		1.9	50	7		
<a href="#">1301</a>	● Green	565	1.8		1.8	50	7		
<a href="#">2101</a>	● Red	650	6.3	10	2.2	50	20	Diffused	-25 °C to +85 °C
<a href="#">2201</a>	● Green	563	10		2.1	65	25		-55 °C to +100 °C
<a href="#">2301</a>	● Yellow	585	29		1.9	50	20		
<a href="#">2501</a>	● Orange	600	7		1.9	60	30		
<a href="#">5101</a>	● Red	635	40	10	2	50	25	Diffused	-40 °C to -100 °C
<a href="#">5201</a>	● Green	565	19		2.1	50	30		-55 °C to +100 °C
<a href="#">5401</a>	● Amber	610	50	20	2.1	50	20	Diffused	-40 °C to -100 °C
<a href="#">0102</a>	● Red	635	8	10	5	60	15	5V Integral Resistor	-40 °C to +85 °C
<a href="#">0202</a>	● Green	565	8	12	5	60	15		-20 °C to +85 °C
<a href="#">0302</a>	● Yellow	583	8	10	5	60	15		-40 °C to +85 °C
<a href="#">0103</a>	● Red	635	8	13	12	60	15	12V Integral Resistor	-55 °C to +100 °C
<a href="#">0203</a>	● Green	565	8		12	60	15		-20 °C to +85 °C
<a href="#">0303</a>	● Yellow	583	8		12	60	15		-40 °C to +85 °C
<a href="#">5904</a>	● Yellow	592	3100	20	24	15	50	24V Integral Resistor	-30 °C to +85 °C
<a href="#">6104</a>	● Red	635	2100		24	15	50		
<a href="#">6204</a>	● Green	525	5000		24	30	50		
<a href="#">3001</a>	● Red / Green	660 / 565	90 / 40	10	1.8 / 2.1	60	40 / 30	2 leaded Bi-color	-55 °C to +100 °C
<a href="#">3201</a>	● Yellow / Green	589 / 571	30 / 50		2.1 / 2.1	50	20		-30 °C to +85 °C
<a href="#">3501</a>	● Red / Green	635 / 565	5.0 / 8.0		2.1 / 2.3	65	30	3 leaded Bi-color	-20 °C to +85 °C
<a href="#">3601</a>	● Yellow / Green	590 / 568	9 / 13.5	2 / 2.1	65	30			



Dialight reserves the right to make changes at any time in order to supply the best product possible. The most current version of this document will always be available at: [www.dialightsignalsandcomponents.com](http://www.dialightsignalsandcomponents.com)

Warranty Statement: Except for the warranty expressly provided for at: [www.dialight.com/resources/warranties/](http://www.dialight.com/resources/warranties/), Dialight disclaims any and all other warranties, express or implied, including, without limitation, any warranties of merchantability, fitness for a particular purpose, title, and noninfringement.



## 559 SERIES

# Rectangle Snap-In LED

0.216 x 0.139" (5.49 x 3.53mm) Mounting Hole

### MECHANICAL / SPECIFICATIONS

#### MOUNTING HOLE SIZE:

0.216 ± .002" x .139 ± .002"  
(5.49 ± .05 mm x 3.53 ± .05 mm)

#### MAX PANEL THICKNESS:

0.031 – 0.062" (.787 – 1.57 mm)

#### VOLTAGE OPTIONS:

1.6 – 3.2V DC typical (resistor required)

OPERATING/STORAGE TEMP: See table

#### ELECTRICAL CONNECTION:

24 AWG 14" lead wire

HOUSING: Black — UL94V-0  
and enhances LED contrast

CONNECTORS: Available upon request

#### POSSIBLE CONNECTORS:

Molex 50-57-9402 AMP 3-643814-3

TERMINALS: Available upon request

#### POSSIBLE TERMINALS:

Molex 16-02-0069, 16-02-077,  
AMP 42067-1

### CERTIFICATIONS & RATINGS

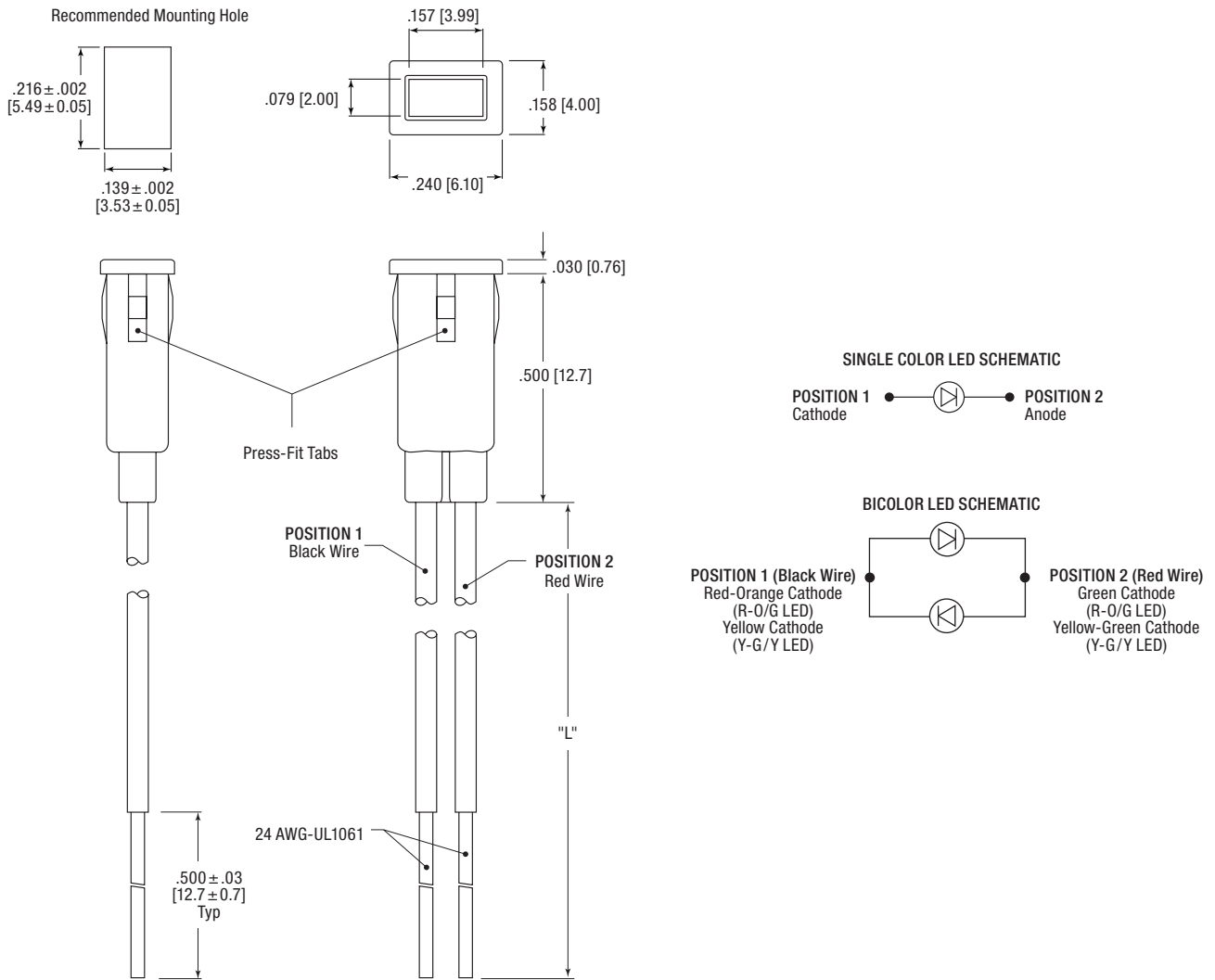
RoHS compliant

### APPLICATION

Dialight's 559 series LED panel mount indicator is available with a variety of LEDs including AlInGaP and InGaN technology for high brightness applications, bicolor and integral resistors.

- Fan tray assemblies
- Hand-held devices
- Data-center Infrastructure (servers and storage)
- Next-gen wireless infrastructure
- Electronic test and measurement instruments
- Communications testing equipment

DIMENSIONS inches [mm]



ORDERING INFORMATION

Part Number	Color	Peak Wavelength (nm)	Intensity Typ. (mcd)	If Typ. (mA)	Vf Typ. (V DC)	Viewing Angle	Max DC Forward Current (mA)	Operating Temp	Storage Temp
<a href="#">559-8100-007F</a>	● Red	635	125	20	2.0	104	30	-55 °C to +100 °C	-55 °C to +100 °C
<a href="#">559-8200-007F</a>	● Green	565	120		2.1	104	30	-20 °C to +100 °C	
<a href="#">559-8300-007F</a>	● Yellow	585	140		2.1	104	20	-55 °C to +100 °C	
<a href="#">559-8400-007F</a>	● Blue	468	67		3.2	100	20	-30 °C to +85 °C	
<a href="#">559-8120-007F</a>	●● Red-Orange / Green	630 / 565	90 / 40		2.1	140	30	-55 °C to +100 °C	
<a href="#">559-8320-007F</a>	●● Yellow-Green / Yellow	570 / 591	30 / 50		2.1	120	20	-30 °C to +85 °C	



Dialight reserves the right to make changes at any time in order to supply the best product possible. The most current version of this document will always be available at: [www.dialightsignalsandcomponents.com](http://www.dialightsignalsandcomponents.com)

Warranty Statement: Except for the warranty expressly provided for at: [www.dialight.com/resources/warranties/](http://www.dialight.com/resources/warranties/), Dialight disclaims any and all other warranties, express or implied, including, without limitation, any warranties of merchantability, fitness for a particular purpose, title, and noninfringement.



## 630 SERIES 30mm Panel Mount Indicators

### MECHANICAL / SPECIFICATIONS

MOUNTING HOLE SIZE: 1.18" (30 mm)

MAX PANEL THICKNESS:

Flat: 0.575" (14.6 mm)

Dome: 0.375" (9.53 mm)

MOUNTING TORQUE: 40 in-lbs

VOLTAGE OPTIONS:

12 & 24 VDC, and 120 VAC

(no resistor required)

OPERATING TEMP:

-30 °C to +85 °C (-22 °F to +185 °F)

STORAGE TEMP:

-40 °C to +100 °C (-40 °F to +212 °F)

ELECTRICAL CONNECTION: 6-32 screw terminals

HOUSING:

Brass-White Nickel Plated

TERMINALS:

Brass-Hot solder dip  
per Mil-F-14072D, M258, Type II

LENS MATERIAL:

Transparent Polycarbonate (UL 94-0)

LOCK WASHER: Phosphor Bronze-Nickel Plated

NUT: Brass-Nickel Plated

### CERTIFICATIONS & RATINGS

UL 1598 (E156890)

IP66

NEMA 4X

RoHS Compliant w/6C exemption

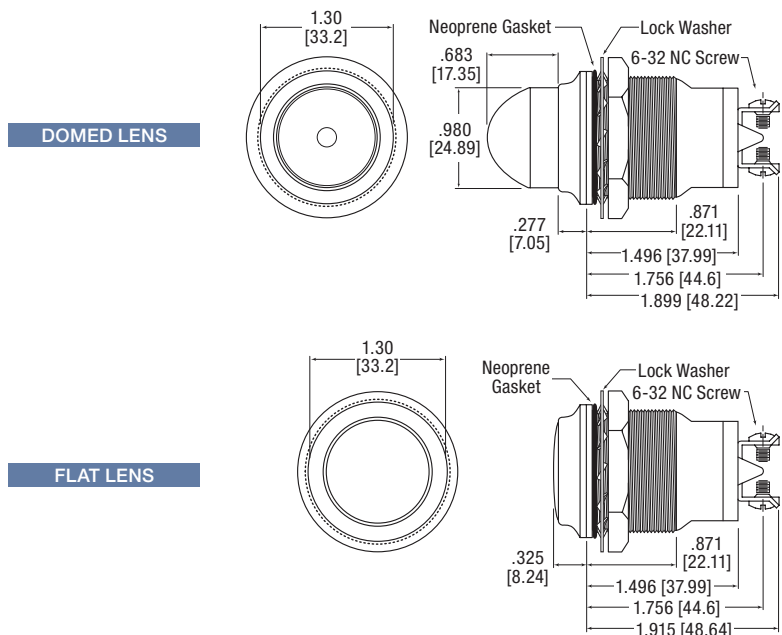
IK07

### APPLICATION

The 630 Series LED Panel Mount Indicators incorporate both InGaP and AlInGaP technologies to offer maximum light output. This is a highly durable package, designed to withstand outdoor applications susceptible to rain, dust and sunlight:

- Instrument panels
- Safety applications
- UL 508 panel applications
- Petrochemical applications
- Environmental monitoring equipment specifications
- Pump system controllers
- Mining application
- Oil refineries
- Agricultural controls
- Power generators
- and many more!

### DIMENSIONS inches [mm]



ORDERING INFORMATION

FLAT LENS

Dialight P/N	Color	Voltage (VDC)	Current (mA)	Typical Intensity (mcd)
<a href="#">630-1003-304F</a>	○ White	12 VDC	60	61,000
<a href="#">630-1503-304F</a>	● Red		95	22,000
<a href="#">630-1603-304F</a>	● Green		60	41,500
<a href="#">630-1703-304F</a>	● Yellow		95	13,500
<a href="#">630-1803-304F</a>	● Blue		60	13,000
<a href="#">630-1004-304F</a>	○ White	24 VDC	32	61,000
<a href="#">630-1504-304F</a>	● Red		46	22,000
<a href="#">630-1604-304F</a>	● Green		32	41,500
<a href="#">630-1704-304F</a>	● Yellow		95	13,500
<a href="#">630-1804-304F</a>	● Blue		32	13,000
<a href="#">630-1005-304F</a>	○ White	120 VAC	9.5	35,000
<a href="#">630-1505-304F</a>	● Red		10.5	8,000
<a href="#">630-1605-304F</a>	● Green		9.5	29,000
<a href="#">630-1705-304F</a>	● Yellow		95	5,750
<a href="#">630-1805-304F</a>	● Blue		9.5	7,750

DOMED LENS

<a href="#">630-3003-304F</a>	○ White	12 VDC	60	17,000
<a href="#">630-3503-304F</a>	● Red		95	14,000
<a href="#">630-3603-304F</a>	● Green		60	14,000
<a href="#">630-3703-304F</a>	● Yellow		95	4,000
<a href="#">630-3803-304F</a>	● Blue		60	12,000
<a href="#">630-3004-304F</a>	○ White	24 VDC	32	17,000
<a href="#">630-3504-304F</a>	● Red		46	14,000
<a href="#">630-3604-304F</a>	● Green		32	14,000
<a href="#">630-3704-304F</a>	● Yellow		95	4,000
<a href="#">630-3804-304F</a>	● Blue		32	12,000
<a href="#">630-3005-304F</a>	○ White	120 VAC	9.5	10,250
<a href="#">630-3505-304F</a>	● Red		10.5	2,500
<a href="#">630-3605-304F</a>	● Green		9.5	9,500
<a href="#">630-3705-304F</a>	● Yellow		95	1,750
<a href="#">630-3805-304F</a>	● Blue		9.5	3,000



Dialight reserves the right to make changes at any time in order to supply the best product possible. The most current version of this document will always be available at: [www.dialightsignalsandcomponents.com](http://www.dialightsignalsandcomponents.com)

Warranty Statement: Except for the warranty expressly provided for at: [www.dialight.com/resources/warranties/](http://www.dialight.com/resources/warranties/), Dialight disclaims any and all other warranties, express or implied, including, without limitation, any warranties of merchantability, fitness for a particular purpose, title, and noninfringement.



656 SERIES

# High Intensity LED Panel Mount Indicators

**MECHANICAL / SPECIFICATIONS**

MOUNTING HOLE SIZE:  
0.500" (12.7 mm)

MAX PANEL THICKNESS:  
0.450" (11.43 mm)

MOUNTING TORQUE:  
5 in-lbs

VOLTAGE OPTIONS:  
5 to 125VDC and 125, 230VAC  
(bi-color 5, 12, 24 VDC)  
(no resistor required)

OPERATING TEMP:  
-30 °C to +85 °C (22 °F to +185 °F)

STORAGE TEMP:  
-40 °C to +100 °C (-40 °F to +212 °F)

ELECTRICAL CONNECTION:  
110 Faston quick connect terminals  
or 6" wire leads

HOUSING: Brass-White or Black Nickel Plated

LENS MATERIAL:  
Transparent polycarbonate (UL 94V-0)

WIRE LEADS: 18 AWG

LOCK WASHER:  
Bronze-White or Black Nickel Plated

NUT: Brass-White or Black Nickel Plated

**CERTIFICATIONS & RATINGS**

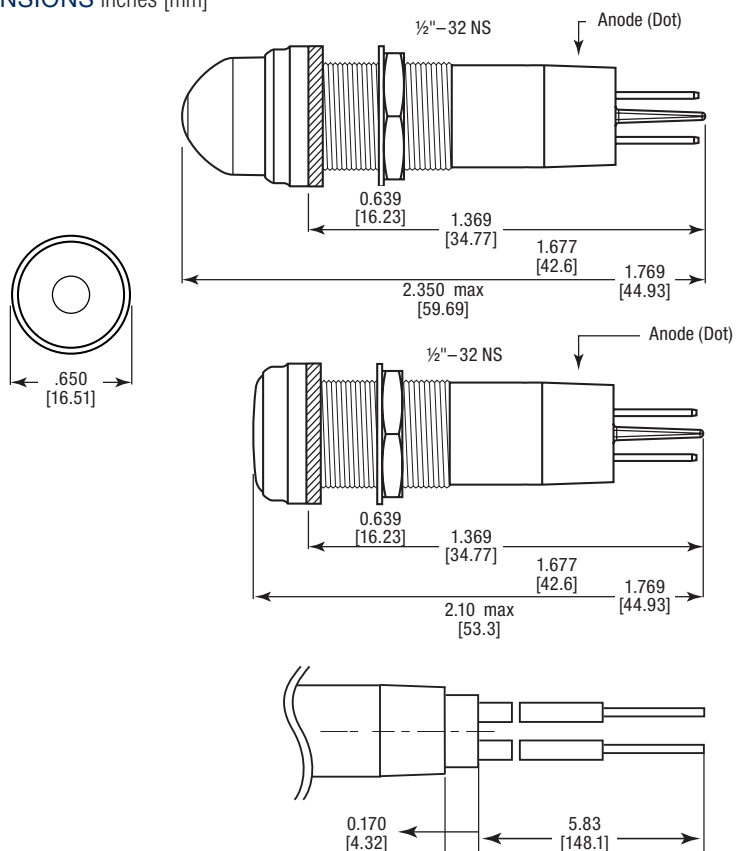
UL 508 (E156890) – UL Listed; Terminals – UL recognized  
NEMA 4X  
IP66/67  
RoHS compliant – w/6C exemption

**APPLICATION**

The 656 Series LED Panel Mount Indicators are designed for a variety of applications such as:

- Flow controls
- Instrument panels
- Industrial controls
- Transportation: rail, bus, airline
- Pump panels
- Vending/gaming

**DIMENSIONS** inches [mm]



ORDERING INFORMATION

BI-COLOR

Flat Lens

Part #—with Wire Leads		Part #—with Blade Terminals		Color	Voltage (VDC)	Typ Current (mA)	Typical Intensity (mcd)
White Nickel Plating	Black Nickel Plating	White Nickel Plating	Black Nickel Plating				
<a href="#">656-1122-303F</a>	<a href="#">656-1122-203F</a>	<a href="#">656-1122-304F</a>	<a href="#">656-1122-204F</a>	● Red ● Green	5	11/8	330/910
<a href="#">656-1322-303F</a>	<a href="#">656-1322-203F</a>	<a href="#">656-1322-304F</a>	<a href="#">656-1322-204F</a>	● Yellow ● Green			320/864
<a href="#">656-1123-303F</a>	<a href="#">656-1123-203F</a>	<a href="#">656-1123-304F</a>	<a href="#">656-1123-204F</a>	● Red ● Green	12	10/9	330/910
<a href="#">656-1323-303F</a>	<a href="#">656-1323-203F</a>	<a href="#">656-1323-304F</a>	<a href="#">656-1323-204F</a>	● Yellow ● Green			320/864
<a href="#">656-1124-303F</a>	<a href="#">656-1124-203F</a>	<a href="#">656-1124-304F</a>	<a href="#">656-1124-204F</a>	● Red ● Green	24	11/10	330/910
<a href="#">656-1324-303F</a>	<a href="#">656-1324-203F</a>	<a href="#">656-1324-304F</a>	<a href="#">656-1324-204F</a>	● Yellow ● Green			320/864

Domed Lens

Part #—with Wire Leads		Part #—with Blade Terminals		Color	Voltage (VDC)	Typ Current (mA)	Typical Intensity (mcd)
White Nickel Plating	Black Nickel Plating	White Nickel Plating	Black Nickel Plating				
<a href="#">656-3122-303F</a>	<a href="#">656-3122-203F</a>	<a href="#">656-3122-304F</a>	<a href="#">656-3122-204F</a>	● Red ● Green	5	11/8	490/1340
<a href="#">656-3322-303F</a>	<a href="#">656-3322-203F</a>	<a href="#">656-3322-304F</a>	<a href="#">656-3322-204F</a>	● Yellow ● Green			480/430
<a href="#">656-3123-303F</a>	<a href="#">656-3123-203F</a>	<a href="#">656-3123-304F</a>	<a href="#">656-3123-204F</a>	● Red ● Green	12	10/9	490/1340
<a href="#">656-3323-303F</a>	<a href="#">656-3323-203F</a>	<a href="#">656-3323-304F</a>	<a href="#">656-3323-204F</a>	● Yellow ● Green			480/430
<a href="#">656-3124-303F</a>	<a href="#">656-3124-203F</a>	<a href="#">656-3124-304F</a>	<a href="#">656-3124-204F</a>	● Red ● Green	24	11/10	490/1340
<a href="#">656-3324-303F</a>	<a href="#">656-3324-203F</a>	<a href="#">656-3324-304F</a>	<a href="#">656-3324-204F</a>	● Yellow ● Green			480/430



Dialight reserves the right to make changes at any time in order to supply the best product possible. The most current version of this document will always be available at: [www.dialightsignalsandcomponents.com](http://www.dialightsignalsandcomponents.com)

Warranty Statement: Except for the warranty expressly provided for at: [www.dialight.com/resources/warranties/](http://www.dialight.com/resources/warranties/), Dialight disclaims any and all other warranties, express or implied, including, without limitation, any warranties of merchantability, fitness for a particular purpose, title, and noninfringement.

SINGLE COLOR

Flat Lens

Part #--with Wire Leads		Part #--with Blade Terminals		Color	Voltage	Typ Current (mA)	Typical Intensity (mcd)
White Nickel Plating	Black Nickel Plating	White Nickel Plating	Black Nickel Plating				
<a href="#">656-1002-303F</a>	<a href="#">656-1002-203F</a>	<a href="#">656-1002-304F</a>	<a href="#">656-1002-204F</a>	○ White	5 (VDC)	15	1510
<a href="#">656-1102-303F</a>	<a href="#">656-1102-203F</a>	<a href="#">656-1102-304F</a>	<a href="#">656-1102-204F</a>	● Red		16	1150
<a href="#">656-1202-303F</a>	<a href="#">656-1202-203F</a>	<a href="#">656-1202-304F</a>	<a href="#">656-1202-204F</a>	● Green		15	1600
<a href="#">656-1302-303F</a>	<a href="#">656-1302-203F</a>	<a href="#">656-1302-304F</a>	<a href="#">656-1302-204F</a>	● Yellow		16	990
<a href="#">656-1352-303F</a>	<a href="#">656-1352-203F</a>	<a href="#">656-1352-304F</a>	<a href="#">656-1352-204F</a>	● Orange		16	1800
<a href="#">656-1402-303F</a>	<a href="#">656-1402-203F</a>	<a href="#">656-1402-304F</a>	<a href="#">656-1402-204F</a>	● Blue		15	237
<a href="#">656-1003-303F</a>	<a href="#">656-1003-203F</a>	<a href="#">656-1003-304F</a>	<a href="#">656-1003-204F</a>	○ White	12 (VDC)	18	1310
<a href="#">656-1103-303F</a>	<a href="#">656-1103-203F</a>	<a href="#">656-1103-304F</a>	<a href="#">656-1103-204F</a>	● Red		18	1100
<a href="#">656-1203-303F</a>	<a href="#">656-1203-203F</a>	<a href="#">656-1203-304F</a>	<a href="#">656-1203-204F</a>	● Green		16	1140
<a href="#">656-1303-303F</a>	<a href="#">656-1303-203F</a>	<a href="#">656-1303-304F</a>	<a href="#">656-1303-204F</a>	● Yellow		18	880
<a href="#">656-1353-303F</a>	<a href="#">656-1353-203F</a>	<a href="#">656-1353-304F</a>	<a href="#">656-1353-204F</a>	● Orange		18	1800
<a href="#">656-1403-303F</a>	<a href="#">656-1403-203F</a>	<a href="#">656-1403-304F</a>	<a href="#">656-1403-204F</a>	● Blue		16	290
<a href="#">656-1004-303F</a>	<a href="#">656-1004-203F</a>	<a href="#">656-1004-304F</a>	<a href="#">656-1004-204F</a>	○ White	24 (VDC)	20	1310
<a href="#">656-1104-303F</a>	<a href="#">656-1104-203F</a>	<a href="#">656-1104-304F</a>	<a href="#">656-1104-204F</a>	● Red			1100
<a href="#">656-1204-303F</a>	<a href="#">656-1204-203F</a>	<a href="#">656-1204-304F</a>	<a href="#">656-1204-204F</a>	● Green			1140
<a href="#">656-1304-303F</a>	<a href="#">656-1304-203F</a>	<a href="#">656-1304-304F</a>	<a href="#">656-1304-204F</a>	● Yellow			880
<a href="#">656-1354-303F</a>	<a href="#">656-1354-203F</a>	<a href="#">656-1354-304F</a>	<a href="#">656-1354-204F</a>	● Orange			1800
<a href="#">656-1404-303F</a>	<a href="#">656-1404-203F</a>	<a href="#">656-1404-304F</a>	<a href="#">656-1404-204F</a>	● Blue			290
<a href="#">656-1006-303F</a>	<a href="#">656-1006-203F</a>	<a href="#">656-1006-304F</a>	<a href="#">656-1006-204F</a>	○ White	28 (VDC)	19	1310
<a href="#">656-1106-303F</a>	<a href="#">656-1106-203F</a>	<a href="#">656-1106-304F</a>	<a href="#">656-1106-204F</a>	● Red		19	1100
<a href="#">656-1206-303F</a>	<a href="#">656-1206-203F</a>	<a href="#">656-1206-304F</a>	<a href="#">656-1206-204F</a>	● Green		18	1140
<a href="#">656-1306-303F</a>	<a href="#">656-1306-203F</a>	<a href="#">656-1306-304F</a>	<a href="#">656-1306-204F</a>	● Yellow		19	880
<a href="#">656-1356-303F</a>	<a href="#">656-1356-203F</a>	<a href="#">656-1356-304F</a>	<a href="#">656-1356-204F</a>	● Orange		19	1800
<a href="#">656-1406-303F</a>	<a href="#">656-1406-203F</a>	<a href="#">656-1406-304F</a>	<a href="#">656-1406-204F</a>	● Blue		18	290
<a href="#">656-1008-303F</a>	<a href="#">656-1008-203F</a>	<a href="#">656-1008-304F</a>	<a href="#">656-1008-204F</a>	○ White	37.5 (VDC)	8.5	400
<a href="#">656-1108-303F</a>	<a href="#">656-1108-203F</a>	<a href="#">656-1108-304F</a>	<a href="#">656-1108-204F</a>	● Red			230
<a href="#">656-1208-303F</a>	<a href="#">656-1208-203F</a>	<a href="#">656-1208-304F</a>	<a href="#">656-1208-204F</a>	● Green			450
<a href="#">656-1308-303F</a>	<a href="#">656-1308-203F</a>	<a href="#">656-1308-304F</a>	<a href="#">656-1308-204F</a>	● Yellow			190
<a href="#">656-1358-303F</a>	<a href="#">656-1358-203F</a>	<a href="#">656-1358-304F</a>	<a href="#">656-1358-204F</a>	● Orange			835
<a href="#">656-1408-303F</a>	<a href="#">656-1408-203F</a>	<a href="#">656-1408-304F</a>	<a href="#">656-1408-204F</a>	● Blue			100
<a href="#">656-110A-303F</a>		<a href="#">656-110A-304F</a>		● Red	48 (VDC)	10	230
<a href="#">656-120A-303F</a>		<a href="#">656-120A-304F</a>		● Green			450
<a href="#">656-130A-303F</a>		<a href="#">656-130A-304F</a>		● Yellow			190
<a href="#">656-1007-303F</a>	<a href="#">656-1007-203F</a>	<a href="#">656-1007-304F</a>	<a href="#">656-1007-204F</a>	○ White	72 (VDC)	8.5	400
<a href="#">656-1107-303F</a>	<a href="#">656-1107-203F</a>	<a href="#">656-1107-304F</a>	<a href="#">656-1107-204F</a>	● Red			230
<a href="#">656-1207-303F</a>	<a href="#">656-1207-203F</a>	<a href="#">656-1207-304F</a>	<a href="#">656-1207-204F</a>	● Green			450
<a href="#">656-1307-303F</a>	<a href="#">656-1307-203F</a>	<a href="#">656-1307-304F</a>	<a href="#">656-1307-204F</a>	● Yellow			190
<a href="#">656-1357-303F</a>	<a href="#">656-1357-203F</a>	<a href="#">656-1357-304F</a>	<a href="#">656-1357-204F</a>	● Orange			835
<a href="#">656-1407-303F</a>	<a href="#">656-1407-203F</a>	<a href="#">656-1407-304F</a>	<a href="#">656-1407-204F</a>	● Blue			100
<a href="#">656-1005-303F</a>		<a href="#">656-1005-304F</a>		○ White	120 (VAC/VDC)	5	400
<a href="#">656-1105-303F</a>		<a href="#">656-1105-304F</a>		● Red			230
<a href="#">656-1205-303F</a>		<a href="#">656-1205-304F</a>		● Green			450
<a href="#">656-1305-303F</a>		<a href="#">656-1305-304F</a>		● Yellow			190
<a href="#">656-1355-303F</a>		<a href="#">656-1355-304F</a>		● Orange			260
<a href="#">656-1405-303F</a>		<a href="#">656-1405-304F</a>		● Blue			100
<a href="#">656-1009-303F</a>		<a href="#">656-1009-304F</a>		○ White	230 (VAC)	3	400
<a href="#">656-1109-303F</a>		<a href="#">656-1109-304F</a>		● Red			230
<a href="#">656-1209-303F</a>		<a href="#">656-1209-304F</a>		● Green			450
<a href="#">656-1309-303F</a>		<a href="#">656-1309-304F</a>		● Yellow			190
<a href="#">656-1359-303F</a>		<a href="#">656-1359-304F</a>		● Orange			260
<a href="#">656-1409-303F</a>		<a href="#">656-1409-304F</a>		● Blue			100

SINGLE COLOR

Domed Lens

Part #--with Wire Leads		Part #--with Blade Terminals		Color	Voltage	Typ Current (mA)	Typical Intensity (mcd)
White Nickel Plating	Black Nickel Plating	White Nickel Plating	Black Nickel Plating				
<a href="#">656-3002-303F</a>	<a href="#">656-3002-203F</a>	<a href="#">656-3002-304F</a>	<a href="#">656-3002-204F</a>	○ White	5 (VDC)	15	3080
<a href="#">656-3102-303F</a>	<a href="#">656-3102-203F</a>	<a href="#">656-3102-304F</a>	<a href="#">656-3102-204F</a>	● Red		16	2200
<a href="#">656-3202-303F</a>	<a href="#">656-3202-203F</a>	<a href="#">656-3202-304F</a>	<a href="#">656-3202-204F</a>	● Green		15	2880
<a href="#">656-3302-303F</a>	<a href="#">656-3302-203F</a>	<a href="#">656-3302-304F</a>	<a href="#">656-3302-204F</a>	● Yellow		16	1960
<a href="#">656-3352-303F</a>	<a href="#">656-3352-203F</a>	<a href="#">656-3352-304F</a>	<a href="#">656-3352-204F</a>	● Orange		16	4400
<a href="#">656-3402-303F</a>	<a href="#">656-3402-203F</a>	<a href="#">656-3402-304F</a>	<a href="#">656-3402-204F</a>	● Blue		15	600
<a href="#">656-3003-303F</a>	<a href="#">656-3003-203F</a>	<a href="#">656-3003-304F</a>	<a href="#">656-3003-204F</a>	○ White	12 (VDC)	18	2340
<a href="#">656-3103-303F</a>	<a href="#">656-3103-203F</a>	<a href="#">656-3103-304F</a>	<a href="#">656-3103-204F</a>	● Red		18	2000
<a href="#">656-3203-303F</a>	<a href="#">656-3203-203F</a>	<a href="#">656-3203-304F</a>	<a href="#">656-3203-204F</a>	● Green		16	2110
<a href="#">656-3303-303F</a>	<a href="#">656-3303-203F</a>	<a href="#">656-3304-304F</a>	<a href="#">656-3303-204F</a>	● Yellow		18	1080
<a href="#">656-3353-303F</a>	<a href="#">656-3353-203F</a>	<a href="#">656-3353-304F</a>	<a href="#">656-3353-204F</a>	● Orange		18	4400
<a href="#">656-3403-303F</a>	<a href="#">656-3403-203F</a>	<a href="#">656-3403-304F</a>	<a href="#">656-3403-204F</a>	● Blue		16	640
<a href="#">656-3004-303F</a>	<a href="#">656-3004-203F</a>	<a href="#">656-3004-304F</a>	<a href="#">656-3004-204F</a>	○ White	24 (VDC)	20	2340
<a href="#">656-3104-303F</a>	<a href="#">656-3104-203F</a>	<a href="#">656-3104-304F</a>	<a href="#">656-3104-204F</a>	● Red			2000
<a href="#">656-3204-303F</a>	<a href="#">656-3204-203F</a>	<a href="#">656-3204-304F</a>	<a href="#">656-3204-204F</a>	● Green			2110
<a href="#">656-3304-303F</a>	<a href="#">656-3304-203F</a>	<a href="#">656-3304-304F</a>	<a href="#">656-3304-204F</a>	● Yellow			1080
<a href="#">656-3354-303F</a>	<a href="#">656-3354-203F</a>	<a href="#">656-3354-304F</a>	<a href="#">656-3354-204F</a>	● Orange			4400
<a href="#">656-3404-303F</a>	<a href="#">656-3404-203F</a>	<a href="#">656-3404-304F</a>	<a href="#">656-3404-204F</a>	● Blue			640
<a href="#">656-3006-303F</a>	<a href="#">656-3006-203F</a>	<a href="#">656-3006-304F</a>	<a href="#">656-3006-204F</a>	○ White	28 (VDC)	19	2340
<a href="#">656-3106-303F</a>	<a href="#">656-3106-203F</a>	<a href="#">656-3106-304F</a>	<a href="#">656-3106-204F</a>	● Red		19	2000
<a href="#">656-3206-303F</a>	<a href="#">656-3206-203F</a>	<a href="#">656-3206-304F</a>	<a href="#">656-3206-204F</a>	● Green		18	2110
<a href="#">656-3306-303F</a>	<a href="#">656-3306-203F</a>	<a href="#">656-3306-304F</a>	<a href="#">656-3306-204F</a>	● Yellow		19	1080
<a href="#">656-3356-303F</a>	<a href="#">656-3356-203F</a>	<a href="#">656-3356-304F</a>	<a href="#">656-3356-204F</a>	● Orange		19	4400
<a href="#">656-3406-303F</a>	<a href="#">656-3406-203F</a>	<a href="#">656-3406-304F</a>	<a href="#">656-3406-204F</a>	● Blue		18	640
<a href="#">656-3008-303F</a>	<a href="#">656-3008-203F</a>	<a href="#">656-3008-304F</a>	<a href="#">656-3008-204F</a>	○ White	37.5 (VDC)		660
<a href="#">656-3108-303F</a>	<a href="#">656-3108-203F</a>	<a href="#">656-3108-304F</a>	<a href="#">656-3108-204F</a>	● Red			410
<a href="#">656-3208-303F</a>	<a href="#">656-3208-203F</a>	<a href="#">656-3208-304F</a>	<a href="#">656-3208-204F</a>	● Green			800
<a href="#">656-3308-303F</a>	<a href="#">656-3308-203F</a>	<a href="#">656-3308-304F</a>	<a href="#">656-3308-204F</a>	● Yellow			390
<a href="#">656-3358-303F</a>	<a href="#">656-3358-203F</a>	<a href="#">656-3358-304F</a>	<a href="#">656-3358-204F</a>	● Orange			2000
<a href="#">656-3408-303F</a>	<a href="#">656-3408-203F</a>	<a href="#">656-3408-304F</a>	<a href="#">656-3408-204F</a>	● Blue			220
<a href="#">656-310A-303F</a>		<a href="#">656-310A-304F</a>		● Red	48 (VDC)	10	410
<a href="#">656-320A-303F</a>		<a href="#">656-320A-304F</a>		● Green			800
<a href="#">656-330A-303F</a>		<a href="#">656-330A-304F</a>		● Yellow			390
<a href="#">656-3007-303F</a>	<a href="#">656-3007-203F</a>	<a href="#">656-3007-304F</a>	<a href="#">656-3007-204F</a>	○ White	72 (VDC)		660
<a href="#">656-3107-303F</a>	<a href="#">656-3107-203F</a>	<a href="#">656-3107-304F</a>	<a href="#">656-3107-204F</a>	● Red			410
<a href="#">656-3207-303F</a>	<a href="#">656-3207-203F</a>	<a href="#">656-3207-304F</a>	<a href="#">656-3207-204F</a>	● Green			800
<a href="#">656-3307-303F</a>	<a href="#">656-3307-203F</a>	<a href="#">656-3307-304F</a>	<a href="#">656-3307-204F</a>	● Yellow			390
<a href="#">656-3357-303F</a>	<a href="#">656-3357-203F</a>	<a href="#">656-3357-304F</a>	<a href="#">656-3357-204F</a>	● Orange			2000
<a href="#">656-3407-303F</a>	<a href="#">656-3407-203F</a>	<a href="#">656-3407-304F</a>	<a href="#">656-3407-204F</a>	● Blue			220
<a href="#">656-3005-303F</a>		<a href="#">656-3005-304F</a>		○ White	120 (VAC/ VDC)	5	660
<a href="#">656-3105-303F</a>		<a href="#">656-3105-304F</a>		● Red			410
<a href="#">656-3205-303F</a>		<a href="#">656-3205-304F</a>		● Green			800
<a href="#">656-3305-303F</a>		<a href="#">656-3305-304F</a>		● Yellow			390
<a href="#">656-3355-303F</a>		<a href="#">656-3355-304F</a>		● Orange			610
<a href="#">656-3405-303F</a>		<a href="#">656-3405-304F</a>		● Blue			220
<a href="#">656-3009-303F</a>		<a href="#">656-3009-304F</a>		○ White	230 (VAC)	3	660
<a href="#">656-3109-303F</a>		<a href="#">656-3109-304F</a>		● Red			410
<a href="#">656-3209-303F</a>		<a href="#">656-3209-304F</a>		● Green			800
<a href="#">656-3309-303F</a>		<a href="#">656-3309-304F</a>		● Yellow			390
<a href="#">656-3359-303F</a>		<a href="#">656-3359-304F</a>		● Orange			610
<a href="#">656-3409-303F</a>		<a href="#">656-3409-304F</a>		● Blue			220



ORDERING INFORMATION

FLAT

Part Number			LED Color	Curr. (mA)	Typical Intensity (mcd)
5 VDC	12 VDC	24 VDC			
<b>White Diffused Lens</b>					
<a href="#">657-1002-303F</a>	<a href="#">657-1003-303F</a>	<a href="#">657-1004-303F</a>	○ White	20	150
<a href="#">657-1502-303F</a>	<a href="#">657-1503-303F</a>	<a href="#">657-1504-303F</a>	● Red		150
<a href="#">657-1602-303F</a>	<a href="#">657-1603-303F</a>	<a href="#">657-1604-303F</a>	● Green		160
<a href="#">657-1702-303F</a>	<a href="#">657-1703-303F</a>	<a href="#">657-1704-303F</a>	● Yellow		100
<a href="#">657-1802-303F</a>	<a href="#">657-1803-303F</a>	<a href="#">657-1804-303F</a>	● Blue		75
<a href="#">657-1902-303F</a>	<a href="#">657-1903-303F</a>	<a href="#">657-1904-303F</a>	● Orange		150

**Tinted Diffused Lens**

<a href="#">657-1502-103F</a>	<a href="#">657-1503-103F</a>	<a href="#">657-1504-103F</a>	● Red	20	650
<a href="#">657-1602-103F</a>	<a href="#">657-1603-103F</a>	<a href="#">657-1604-103F</a>	● Green		1150
<a href="#">657-1702-103F</a>	<a href="#">657-1703-103F</a>	<a href="#">657-1704-103F</a>	● Yellow		550
<a href="#">657-1802-103F</a>	<a href="#">657-1803-103F</a>	<a href="#">657-1804-103F</a>	● Blue		200
<a href="#">657-1902-103F</a>	<a href="#">657-1903-103F</a>	<a href="#">657-1904-103F</a>	● Orange		700

DOMED

Part Number			LED Color	Curr. (mA)	Typical Intensity (mcd)
5 VDC	12 VDC	24 VDC			
<b>White Diffused Lens</b>					
<a href="#">657-2002-303F</a>	<a href="#">657-2003-303F</a>	<a href="#">657-2004-303F</a>	○ White	20	85
<a href="#">657-2502-303F</a>	<a href="#">657-2503-303F</a>	<a href="#">657-2504-303F</a>	● Red		115
<a href="#">657-2602-303F</a>	<a href="#">657-2603-303F</a>	<a href="#">657-2604-303F</a>	● Green		150
<a href="#">657-2702-303F</a>	<a href="#">657-2703-303F</a>	<a href="#">657-2704-303F</a>	● Yellow		115
<a href="#">657-2802-303F</a>	<a href="#">657-2803-303F</a>	<a href="#">657-2804-303F</a>	● Blue		70
<a href="#">657-2902-303F</a>	<a href="#">657-2903-303F</a>	<a href="#">657-2904-303F</a>	● Orange		100

**Tinted Diffused Lens**

<a href="#">657-2502-103F</a>	<a href="#">657-2503-103F</a>	<a href="#">657-2504-103F</a>	● Red	20	900
<a href="#">657-2602-103F</a>	<a href="#">657-2603-103F</a>	<a href="#">657-2604-103F</a>	● Green		1600
<a href="#">657-2702-103F</a>	<a href="#">657-2703-103F</a>	<a href="#">657-2704-103F</a>	● Yellow		1250
<a href="#">657-2802-103F</a>	<a href="#">657-2803-103F</a>	<a href="#">657-2804-103F</a>	● Blue		250
<a href="#">657-2902-103F</a>	<a href="#">657-2903-103F</a>	<a href="#">657-2904-103F</a>	● Orange		1500



Dialight reserves the right to make changes at any time in order to supply the best product possible. The most current version of this document will always be available at: [www.dialightsignalsandcomponents.com](http://www.dialightsignalsandcomponents.com)

Warranty Statement: Except for the warranty expressly provided for at: [www.dialight.com/resources/warranties/](http://www.dialight.com/resources/warranties/), Dialight disclaims any and all other warranties, express or implied, including, without limitation, any warranties of merchantability, fitness for a particular purpose, title, and noninfringement.



657 SERIES

# Bi- and Tri-Color Watertight Series Panel Mount Indicators

**MECHANICAL / SPECIFICATIONS**

- MOUNTING HOLE SIZE:  
0.687" (17.46 mm)
- MAX PANEL THICKNESS:  
0.350" (8.89 mm)
- MOUNTING TORQUE: 15 in-lbs
- VOLTAGE OPTIONS:  
10-30 VDC (no resistor required)
- OPERATING TEMP:  
-40 °C to +85 °C (-40 °F to +185 °F)
- STORAGE TEMP:  
-40 °C to +100 °C (-40 °F to +212 °F)
- ELECTRICAL CONNECTION:  
18 AWG anti-capillary wire,  
Common Cathode
- HOUSING:  
Polycarbonate (UL 94V-0)
- LENS MATERIAL:  
Polycarbonate (UL 94V-0)
- WIRE LEADS:  
6" – Wire color is the same color  
as LED color; Black wire is  
common ground
- LOCK WASHER:  
White Nickel Plated Bronze
- NUT: White Nickel Plated Brass

**CERTIFICATIONS & RATINGS**

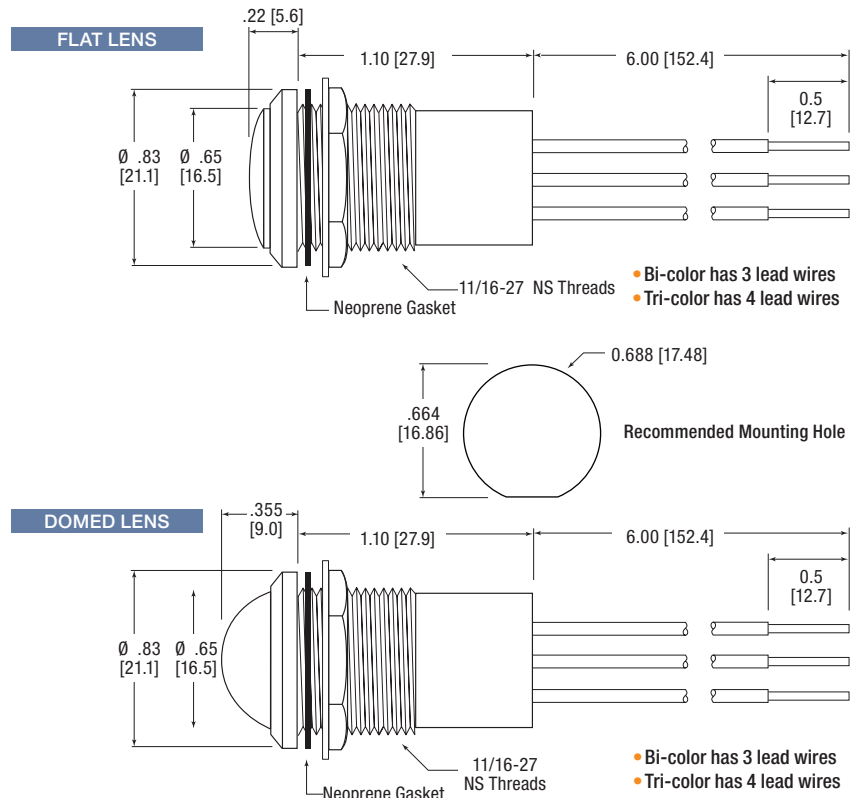
- RoHS compliant
- NEMA 4X
- IP67

**APPLICATION**

The 657 Series LED Panel Mount Indicators are designed with a highly durable watertight housing. These indicators are designed for a variety of applications such as:

- Aircraft and military vehicles
- Industrial panels
- Panel lights
- EV charging
- Boats and heavy duty vehicles
- Wastewater treatment controls

**DIMENSIONS** inches [mm]



ORDERING INFORMATION

FLAT

Part Number	LED Color	Lens Color	Typ. IF (mA)	Typ. VF (VDC)	Typical Intensity (mcd)
<a href="#">657-1415-303F</a>	Red	White Diffused	20	10-30	270
	Green				515
<a href="#">657-1425-303F</a>	Red				270
	Blue				90
<a href="#">657-1435-303F</a>	Green				515
	Yellow				310
<a href="#">657-1455-303F</a>	Red				270
	Yellow				310
<a href="#">657-1465-303F</a>	Green				515
	Blue				90
<a href="#">657-1485-303F</a>	Red				270
	Green				515
	Blue				90
<a href="#">657-1495-303F</a>	Red				270
	Green				515
	Yellow				310

DOMED

Part Number	LED Color	Lens Color	Typ. IF (mA)	Typ. VF (VDC)	Typical Intensity (mcd)
<a href="#">657-2415-303F</a>	Red	White Diffused	20	10-30	255
	Green				500
<a href="#">657-2425-303F</a>	Red				255
	Blue				90
<a href="#">657-2435-303F</a>	Green				500
	Yellow				260
<a href="#">657-2455-303F</a>	Red				255
	Yellow				260
<a href="#">657-2465-303F</a>	Green				500
	Blue				90
<a href="#">657-2485-303F</a>	Red				255
	Green				500
	Blue				90
<a href="#">657-2495-303F</a>	Red				255
	Green				500
	Yellow				260



Dialight reserves the right to make changes at any time in order to supply the best product possible. The most current version of this document will always be available at: [www.dialightsignalsandcomponents.com](http://www.dialightsignalsandcomponents.com)

Warranty Statement: Except for the warranty expressly provided for at: [www.dialight.com/resources/warranties/](http://www.dialight.com/resources/warranties/), Dialight disclaims any and all other warranties, express or implied, including, without limitation, any warranties of merchantability, fitness for a particular purpose, title, and noninfringement.



## 657 SERIES Watertight Right Angle Panel Mount Indicators

### MECHANICAL / SPECIFICATIONS

MOUNTING HOLE SIZE:  
0.687" (17.46 mm)

MAX PANEL THICKNESS:  
0.350" (8.89 mm)

MOUNTING TORQUE: 15 in-lbs

VOLTAGE OPTIONS:  
12–32 VDC (no resistor required)

OPERATING TEMP:  
-35 °C to +65 °C (-31 °F to +149 °F)

STORAGE TEMP:  
-40 °C to +100 °C (-40 °F to +212 °F)

ELECTRICAL CONNECTION:  
18 AWG anti-capillary wire

HOUSING:  
Polycarbonate (UL 94V-0)

LENS MATERIAL:  
Transparent polycarbonate (UL 94V-0)

WIRE LEADS: 6"

LOCK WASHER:  
White Nickel Plated Bronze

NUT: White Nickel Plated Brass

### CERTIFICATIONS & RATINGS

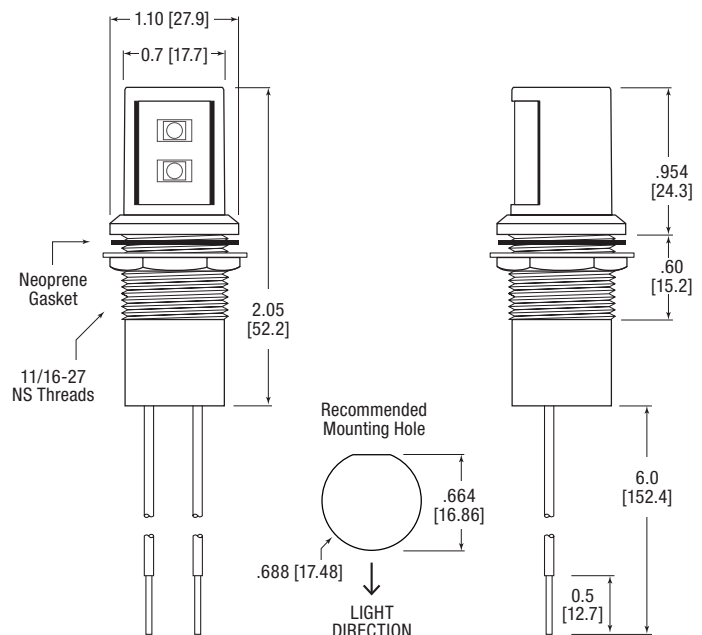
RoHS compliant  
NEMA 4X  
IP67

### APPLICATION

The 657 Series LED Panel Mount Indicators are designed with a highly durable watertight housing. These indicators are designed for a variety of applications such as:

- Instrument panels
- Gauge
- Dash boards
- Storage compartments
- Control panels

### DIMENSIONS inches [mm]



ORDERING INFORMATION

Part Number	Color	Voltage (V DC)	Current (mA)	Intensity Typ. (mcd)
<a href="#">657-3009-213F</a>	○ Cool White	12–32	24	2700
<a href="#">657-3009-804F</a>	● Red			1850
<a href="#">657-3009-803F</a>	● Green			2600
<a href="#">657-3009-808F</a>	● Orange			3500
<a href="#">657-3009-806F</a>	● Blue			600



Dialight reserves the right to make changes at any time in order to supply the best product possible. The most current version of this document will always be available at: [www.dialightsignalsandcomponents.com](http://www.dialightsignalsandcomponents.com)

Warranty Statement: Except for the warranty expressly provided for at: [www.dialight.com/resources/warranties/](http://www.dialight.com/resources/warranties/), Dialight disclaims any and all other warranties, express or implied, including, without limitation, any warranties of merchantability, fitness for a particular purpose, title, and noninfringement.



## 585 SERIES Multi-Chip Based LED T1 3/4 Midget Flange

### MECHANICAL / SPECIFICATIONS

BASE:

T1 3/4 Midget Flange

VOLTAGE OPTIONS:

6,14, and 28 V DC

OPERATING TEMPERATURE:

-20°C to +60°C (-4°F to +140°F)

STORAGE TEMPERATURE:

-30°C to +100°C (-22°F to +212°F)

### CERTIFICATIONS & RATINGS

RoHS compliant

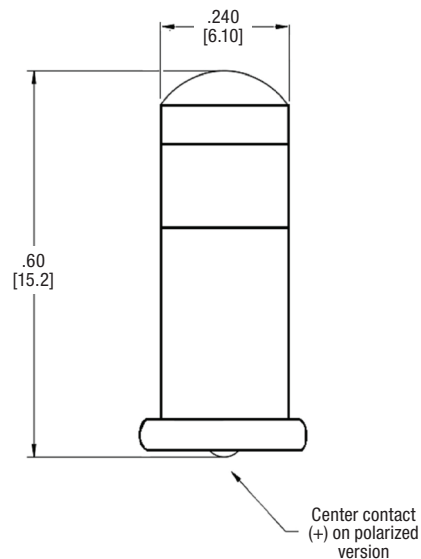
### FEATURES & BENEFITS

- Longer life
- Energy savings - 90% less power required
- Mounts directly into industry standard socket
- Polarized and non-polarized

### APPLICATION

- Control panels
- Instrumentation
- Warning lights
- Communication equipment
- Portable equipment
- ...And many more!

### DIMENSIONS inches [mm]



Measurements are typical

ORDERING INFORMATION

POLARIZED LED BULBS

Dialight P/N	Color	Peak Wavelength (nm)	Voltage (V DC)	Current Typ. (mA)	Intensity Typ. (mcd)
<a href="#">585-1211F</a>	● Red	660	6	50	67
<a href="#">585-1311F</a>	● Green	565		46	77
<a href="#">585-1411F</a>	● Yellow	585		44	22
<a href="#">585-1213F</a>	● Red	660	14	30	60
<a href="#">585-1313F</a>	● Green	565		28	70
<a href="#">585-1413F</a>	● Yellow	585		30	23
<a href="#">585-1215F</a>	● Red	660	28	16	64
<a href="#">585-1315F</a>	● Green	565		15	75
<a href="#">585-1415F</a>	● Yellow	585		15	23

NON-POLARIZED LED BULBS

<a href="#">585-1221F</a>	● Red	660	6	75	50
<a href="#">585-1321F</a>	● Green	565		67	56
<a href="#">585-1421F</a>	● Yellow	585		73	18
<a href="#">585-1223F</a>	● Red	660	14	26	50
<a href="#">585-1323F</a>	● Green	565		23	56
<a href="#">585-1423F</a>	● Yellow	585		24	18
<a href="#">585-1225F</a>	● Red	660	28	14	56
<a href="#">585-1325F</a>	● Green	565		13	65
<a href="#">585-1425F</a>	● Yellow	585		13	20



Dialight reserves the right to make changes at any time in order to supply the best product possible. The most current version of this document will always be available at: [www.dialightsignalsandcomponents.com](http://www.dialightsignalsandcomponents.com)

Warranty Statement: Except for the warranty expressly provided for at: [www.dialight.com/resources/warranties/](http://www.dialight.com/resources/warranties/), Dialight disclaims any and all other warranties, express or implied, including, without limitation, any warranties of merchantability, fitness for a particular purpose, title, and noninfringement.



585 SERIES

**Cluster Based LED**

T3 1/4 Miniature Bayonet (BA9s)

MECHANICAL / SPECIFICATIONS

BASE:

T3 1/4 Miniature Bayonet (BA9s)

VOLTAGE OPTIONS:

6, 14 and 28 V DC; 120 V AC

OPERATING TEMPERATURE:

-30°C to +85°C (-22°F to +185°F)

STORAGE TEMPERATURE:

-40°C to +100°C (-40°F to +212°F)

CERTIFICATIONS & RATINGS

RoHS compliant

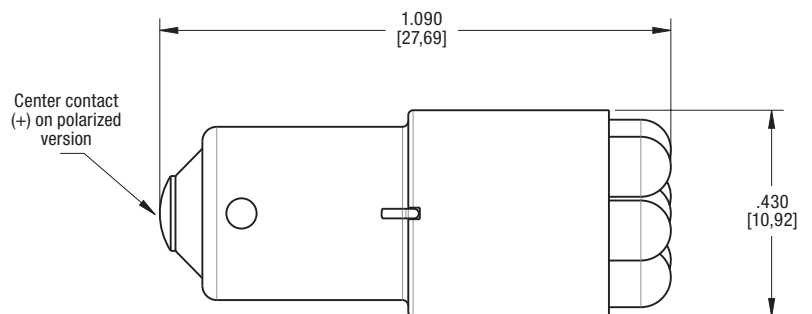
FEATURES & BENEFITS

- Longer life
- Energy savings - 90% less power required
- High reliability - vibration and shock resistant
- Mount directly into industry standard socket
- Super bright LED cluster design
- Polarized and non-polarized
- No heat generated

APPLICATION

- Control panels
- Instrumentation
- Warning lights
- Communication equipment
- Portable equipment
- ...And many more!

DIMENSIONS inches [mm]



Measurements are typical

ORDERING INFORMATION

POLARIZED LED BULBS

Dialight P/N	Color	Peak Wavelength (nm)	Voltage (V DC)	Forward Current Typ. (mA)	Intensity Typ. (mcd)
<a href="#">585-5211F</a>	● Red	660	6	60	480
<a href="#">585-5311F</a>	● Green	565	6	60	420
<a href="#">585-5511F</a>	● Yellow	592	6	90	1800
<a href="#">585-5213F</a>	● Red	660	14	40	480
<a href="#">585-5313F</a>	● Green	565	14	40	420
<a href="#">585-5513F</a>	● Yellow	592	14	60	1800
<a href="#">585-5215F</a>	● Red	660	28	20	560
<a href="#">585-5315F</a>	● Green	565	28	20	490
<a href="#">585-5515F</a>	● Yellow	592	28	30	2100

NON-POLARIZED LED BULBS

<a href="#">585-5223F</a>	● Red	660	14	40	480
<a href="#">585-5323F</a>	● Green	565			420
<a href="#">585-5523F</a>	● Yellow	592		60	1800
<a href="#">585-5225F</a>	● Red	660	28	20	560
<a href="#">585-5325F</a>	● Green	565			490
<a href="#">585-5525F</a>	● Yellow	592		30	2100
<a href="#">585-5256F</a>	● Red	660	120 V AC	9	252
<a href="#">585-5356F</a>	● Green	565			220
<a href="#">585-5556F</a>	● Yellow	585			945



Dialight reserves the right to make changes at any time in order to supply the best product possible. The most current version of this document will always be available at: [www.dialightsignalsandcomponents.com](http://www.dialightsignalsandcomponents.com)

Warranty Statement: Except for the warranty expressly provided for at: [www.dialight.com/resources/warranties/](http://www.dialight.com/resources/warranties/), Dialight disclaims any and all other warranties, express or implied, including, without limitation, any warranties of merchantability, fitness for a particular purpose, title, and noninfringement.



586 SERIES

**Single Chip Based LED**

T1 3/4 Midget Flange

MECHANICAL / SPECIFICATIONS

BASE:

T1 3/4 Midget Flange

VOLTAGE OPTIONS:

6,14, and 28 V DC

OPERATING TEMPERATURE:

-40°C to +80°C (-40°F to +176°F)

STORAGE TEMPERATURE:

-40°C to +100°C (-40°F to +212°F)

CERTIFICATIONS & RATINGS

RoHS compliant

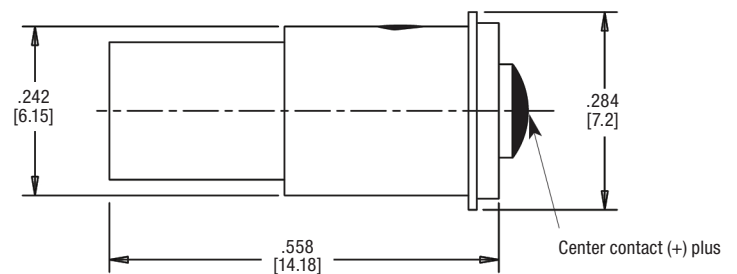
FEATURES & BENEFITS

- Longer life
- Energy savings - 90% less power required
- High reliability - vibration and shock resistant
- Mounts directly into industry standard socket
- AllnGaP and InGaN die technology
- Super bright single chip design
- No heat generated

APPLICATION

- Control panels
- Instrumentation
- Warning lights
- Communication equipment
- Portable equipment
- ...And many more!

DIMENSIONS inches [mm]



Measurements are typical

ORDERING INFORMATION

Dialight P/N	Color	Peak Wavelength (nm)	Voltage (V DC)	Current Typ. (mA)	Intensity Typ. (mcd)
<a href="#">586-1101-101F</a>	● Red	639	6	10	775
<a href="#">586-1102-101F</a>	● Green	520			600
<a href="#">586-1103-101F</a>	● Yellow	592			775
<a href="#">586-1105-101F</a>	● Blue	467			210
<a href="#">586-1106-101F</a>	○ White	*			460
<a href="#">586-1101-103F</a>	● Red	639			14
<a href="#">586-1102-103F</a>	● Green	520	600		
<a href="#">586-1103-103F</a>	● Yellow	592	775		
<a href="#">586-1105-103F</a>	● Blue	467	210		
<a href="#">586-1106-103F</a>	○ White	*	460		
<a href="#">586-1101-105F</a>	● Red	639	28		
<a href="#">586-1102-105F</a>	● Green	520			600
<a href="#">586-1103-105F</a>	● Yellow	592			775
<a href="#">586-1105-105F</a>	● Blue	467			210
<a href="#">586-1106-105F</a>	○ White	*			460

\*Color coordinates: x=0.320, y=0.320



Dialight reserves the right to make changes at any time in order to supply the best product possible. The most current version of this document will always be available at: [www.dialightsignalsandcomponents.com](http://www.dialightsignalsandcomponents.com)

Warranty Statement: Except for the warranty expressly provided for at: [www.dialight.com/resources/warranties/](http://www.dialight.com/resources/warranties/), Dialight disclaims any and all other warranties, express or implied, including, without limitation, any warranties of merchantability, fitness for a particular purpose, title, and noninfringement.



586 SERIES

**Multi-Chip Based LED**

T3 1/4 Miniature Bayonet (BA9s)

MECHANICAL / SPECIFICATIONS

BASE:

T3 1/4 Miniature Bayonet (BA9s)

VOLTAGE OPTIONS:

6,14, and 28 V DC, 6-36 V DC

OPERATING TEMPERATURE:

-30°C to +85°C (-22°F to +185°F)

STORAGE TEMPERATURE:

-40°C to +100°C (-40F to +212°F)

CERTIFICATIONS & RATINGS

RoHS compliant

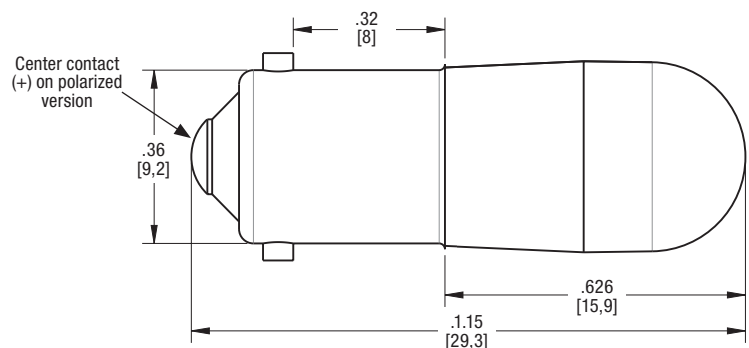
FEATURES & BENEFITS

- Longer life
- Energy savings - 90% less power required
- High reliability - vibration and shock resistant
- Mounts directly into industry standard socket
- True non-polarized configurations available
- No heat generated
- Super bright single chip design

APPLICATION

- Control panels
- Instrumentation
- Warning lights
- Communication equipment
- Portable equipment
- ...And many more!

DIMENSIONS inches [mm]



Measurements are typical

ORDERING INFORMATION

POLARIZED LED BULBS

Dialight P/N	Color	Peak Wavelength (nm)	Voltage (V DC)	Current Typ. (mA)	Intensity Typ. (mcd)
<a href="#">586-2401-101F</a>	● Red	630	6	15	1050
<a href="#">586-2402-101F</a>	● Green	525			1650
<a href="#">586-2403-101F</a>	● Yellow	592			1275
<a href="#">586-2405-101F</a>	● Blue	470			487
<a href="#">586-2406-101F</a>	○ White	*			825
<a href="#">586-2401-103F</a>	● Red	630	14		1050
<a href="#">586-2402-103F</a>	● Green	525			1650
<a href="#">586-2403-103F</a>	● Yellow	592			1275
<a href="#">586-2405-103F</a>	● Blue	470			487
<a href="#">586-2406-103F</a>	○ White	*			825
<a href="#">586-2401-105F</a>	● Red	630	28		1050
<a href="#">586-2402-105F</a>	● Green	525			1650
<a href="#">586-2403-105F</a>	● Yellow	592			1275
<a href="#">586-2405-105F</a>	● Blue	470			487
<a href="#">586-2406-105F</a>	○ White	*			825
<a href="#">586-2401-220F</a>	● Red	630	6-36	10	1000
<a href="#">586-2402-220F</a>	● Green	525			1500
<a href="#">586-2403-220F</a>	● Yellow	592			550
<a href="#">586-2405-220F</a>	● Blue	470			200
<a href="#">586-2406-220F</a>	○ White	*			650

NON-POLARIZED LED BULBS

<a href="#">586-2401-201F</a>	● Red	630	6	15	1050	
<a href="#">586-2402-201F</a>	● Green	525			1650	
<a href="#">586-2403-201F</a>	● Yellow	592			1275	
<a href="#">586-2405-201F</a>	● Blue	470			487	
<a href="#">586-2406-201F</a>	○ White	*			825	
<a href="#">586-2401-203F</a>	● Red	630	14		1050	
<a href="#">586-2402-203F</a>	● Green	525			1650	
<a href="#">586-2403-203F</a>	● Yellow	592			1275	
<a href="#">586-2405-203F</a>	● Blue	470			487	
<a href="#">586-2406-203F</a>	○ White	*			825	
<a href="#">586-2401-205F</a>	● Red	630	28		7.5	525
<a href="#">586-2402-205F</a>	● Green	525				825
<a href="#">586-2403-205F</a>	● Yellow	592				637
<a href="#">586-2405-205F</a>	● Blue	470				243
<a href="#">586-2406-205F</a>	○ White	*				412

\*Color coordinates: x=0.330, y=0.365



Dialight reserves the right to make changes at any time in order to supply the best product possible. The most current version of this document will always be available at: [www.dialightsignalsandcomponents.com](http://www.dialightsignalsandcomponents.com)

Warranty Statement: Except for the warranty expressly provided for at: [www.dialight.com/resources/warranties/](http://www.dialight.com/resources/warranties/), Dialight disclaims any and all other warranties, express or implied, including, without limitation, any warranties of merchantability, fitness for a particular purpose, title, and noninfringement.



586 SERIES

**Daylight Viewable  
Cluster Based LED**

T3 1/4 Miniature Bayonet (BA9s)

MECHANICAL / SPECIFICATIONS

BASE:

T3 1/4 Miniature Bayonet (BA9s)

VOLTAGE OPTIONS:

6,14, and 28 V DC; 120 V AC

OPERATING TEMPERATURE:

-30C to +85°C (-22°F to +185°F)

STORAGE TEMPERATURE:

-40°C to +100°C (-40F to +212°F)

CERTIFICATIONS & RATINGS

RoHS compliant

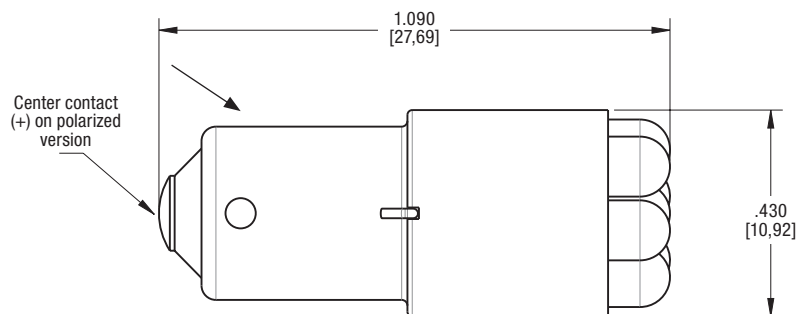
FEATURES & BENEFITS

- Longer life
- Energy savings - 90% less power required
- High reliability - vibration and shock resistant
- Mounts directly into industry standard sockets
- Polarized and non-polarized
- Super bright LED cluster design

APPLICATION

- Control panels
- Instrumentation
- Warning lights
- Communication equipment
- Portable equipment
- ...And many more!

DIMENSIONS inches [mm]



Measurements are typical

**ORDERING INFORMATION**

**POLARIZED LED BULBS**

Dialight P/N	Color	Peak Wavelength (nm)	Voltage (V DC)	Forward Current Typ. (mA)	Intensity Typ. (mcd)
<a href="#">586-6401-101F</a>	● Red	630	6	100	1000
<a href="#">586-6402-101F</a>	● Green	525		90	3800
<a href="#">586-6403-101F</a>	● Yellow	592		100	2000
<a href="#">586-6405-101F</a>	● Blue	470		90	850
<a href="#">586-6406-101F</a>	○ White	*			4800
<a href="#">586-6401-103F</a>	● Red	630	14	50	1000
<a href="#">586-6402-103F</a>	● Green	525		40	3100
<a href="#">586-6403-103F</a>	● Yellow	592		50	2000
<a href="#">586-6405-103F</a>	● Blue	470		40	685
<a href="#">586-6406-103F</a>	○ White	*			4800
<a href="#">586-6401-105F</a>	● Red	630	28	17	1000
<a href="#">586-6402-105F</a>	● Green	525		13	3600
<a href="#">586-6403-105F</a>	● Yellow	592		17	2000
<a href="#">586-6405-105F</a>	● Blue	470		13	780
<a href="#">586-6406-105F</a>	○ White	*			4200

**NON-POLARIZED LED BULBS**

<a href="#">586-6401-201F</a>	● Red	630	6	100	1000
<a href="#">586-6402-201F</a>	● Green	525		70	3400
<a href="#">586-6403-201F</a>	● Yellow	592		100	2000
<a href="#">586-6405-201F</a>	● Blue	470		70	685
<a href="#">586-6406-201F</a>	○ White	*			4000
<a href="#">586-6401-203F</a>	● Red	630	14	50	1000
<a href="#">586-6402-203F</a>	● Green	525		40	3400
<a href="#">586-6403-203F</a>	● Yellow	592		50	2000
<a href="#">586-6405-203F</a>	● Blue	470		40	685
<a href="#">586-6406-203F</a>	○ White	*			4000
<a href="#">586-6401-205F</a>	● Red	630	28	18	1000
<a href="#">586-6402-205F</a>	● Green	525		11	3400
<a href="#">586-6403-205F</a>	● Yellow	592		18	2000
<a href="#">586-6405-205F</a>	● Blue	470		11	685
<a href="#">586-6406-205F</a>	○ White	*			4000
<a href="#">586-6401-206F</a>	● Red	630	120 V AC	9	500
<a href="#">586-6402-206F</a>	● Green	526			2400
<a href="#">586-6403-206F</a>	● Yellow	592			1000
<a href="#">586-6405-206F</a>	● Blue	472			565
<a href="#">586-6406-206F</a>	○ White	*			3000

\*Color coordinates: x=0.330, y=0.365



Dialight reserves the right to make changes at any time in order to supply the best product possible. The most current version of this document will always be available at: [www.dialightsignalsandcomponents.com](http://www.dialightsignalsandcomponents.com)

Warranty Statement: Except for the warranty expressly provided for at: [www.dialight.com/resources/warranties/](http://www.dialight.com/resources/warranties/), Dialight disclaims any and all other warranties, express or implied, including, without limitation, any warranties of merchantability, fitness for a particular purpose, title, and noninfringement.

# Circuit Board Indicators

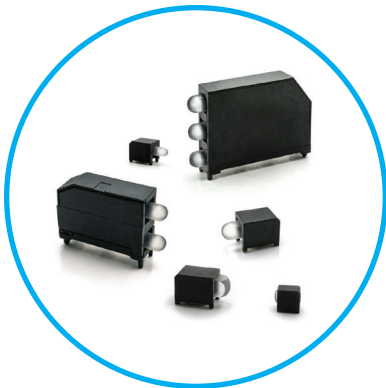


550, 551, 552, 553, 555, 561, 564, 566, 567, 568, 569, 570 AND 571 SERIES

## **CBI® Through Hole** Discrete and housed LEDs

*The widest variety of configurations including:*

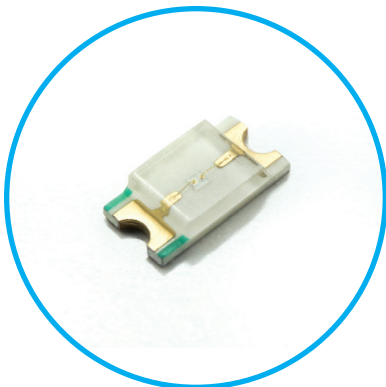
- Right angle, vertical and horizontal arrays in single, bi, tri and quad blocks
- 2mm, 3mm, 4mm, 5mm and rectangular LEDs
- Perfect for direct view or backlighting applications
- Single and bi-color, diffused, water-clear, tinted, super-bright and high efficiency
- Over 2500 variations, with custom LED placement available
- All visible colors of the spectrum available (from blue to red)



591, 592, 593, 594, 595 AND 596 SERIES

## **PRISM® Surface Mount LEDs** Right Angle SMDs

- Fully SMD process compliant part (taped and reeled / pick and place / reflow oven compatible)
- 1.6mm, 2mm and 3mm LEDs
- Can withstand higher temp RoHS solder process and eliminates need for secondary optics or separate process
- Available in standard and low current versions
- Available with square or round lens
- Packaged in single, bi- and tri-level configurations



597, 598 AND 599 SERIES

## **microLED®** Surface Mount LEDs

*Ten different package sizes including:*

- 0402, 0404, 0603, 0606, 0805, 1206, 1208, 1210, 1515, 2827, 3528 / PLCC and 3735
- Single color, bi-color, tri-color in top, right angle, and reverse mount LED configurations
- Latest AlInGaP and InGaN technology
- Cost competitive pricing



515 SERIES

## **OPTOPIPE® Light Pipes** for use with microLED® SMDs

- Light pipes act as a conduit for directing light from LED to front panel viewing
- For PCB and panel mount press-fit mounting
- Right angle and vertical versions available in more than 400 sizes and shapes
- Provides ESD protection, operating / storage temperature -30°C to +100°C
- Allows edge lighting around components such as SFP assemblies and RJ45 jacks
- UL 94V-0 Compliant

# Panel Mount Indicators



585 AND 586

## Based LED Bulbs

- Replaces traditional miniature incandescent bulbs with rugged long-lasting and energy-efficient LEDs
- Base styles including: T 1 3/4 Midget Flange, Wedge Base and Bi-Pin, T 3 1/4 Mini-Bayonet and Mini-Screw, T2 Telephone Slide and 15mm Bayonet
- Voltages from 6, 14 and 28 VDC, 6-36 VDC multi-voltage operation and 125 VAC with non-polarized versions available
- Colors include: red, green, yellow, blue and white while our 558, 559 and some 600 series use a snap-in plastic housing



249, 507, 556, 557, 558, 559, 605, 606, 607, 608, 609, 610, 612, 620, 621, 622, 623, 630, 653, 654, 655, 656 657, 658, 675, 676, 677, 678, 679, 680 AND 682 SERIES

## LED Panel Mount Indicators

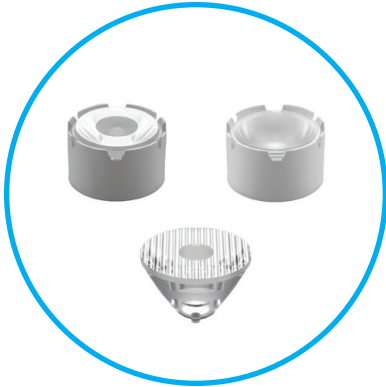
Plastic and metal housings

- Incorporating the latest LED technology in a tamper-proof metal housing enclosures
- Variety of mounting hole diameters from 0.156" (3.9mm) - 1.18" (30 mm)
- Operating voltages 2-72 VDC, 125 and 230 VAC
- Some feature a water-tight seal to NEMA 4X / IP66/67 and daylight viewability
- Available in: red, green, yellow, orange, blue, cyan and white
- 556 and 656 series are UL certified
- RoHS compliant, some with 6C exemptions
- All metal and some plastic housing use lock washer and nut for secure mounting while our 558, 559 and some 600 series use a snap-in plastic housing



## Military And Relampable Panel Mount Indicators

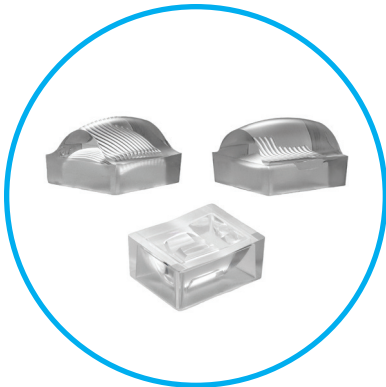
- Military - LH, LC and MS designations and QPL listed
- Incandescent or neon, designed to mount into 15/32", 11/16" and 1" clearance holes
- Feature water-tight and oil-tight, edge lighting, press-to-test, and dimmable semi or total blackout
- Consult Dialight's Military Cross Reference for specific part number
- Commercial - Incandescent or neon indicators UL recognized designed to mount into 15/32", 11/16" and 1" clearance holes
- Lenses are available in flat, dome, torpedo and faceted



OPT SERIES

## TIR Optics

- High transmissivity
- UL rated optic material
- Optic only with tape or Optic pre-installed in housing with tape for mounting



OPT SERIES

## Lens Optics

- High transmissivity
- UL rated optic material
- Lens includes locating pins for consistent alignment



OPT SERIES

## Reflective Optics

- Only 11.5mm (0.453") maximum diameter
- Ideal for tightly spaced LED arrays
- Adhesive backing for easy installation. Adhesive rated from -40°C to +120°C (-40°F to +248°F)
- Automatic alignment feature
- Spot and wide versions available
- Universal version suites Cree XPC, XPE, XPG and standard Rebel LEDs

**OE** is **O**ur **E**xpertise.